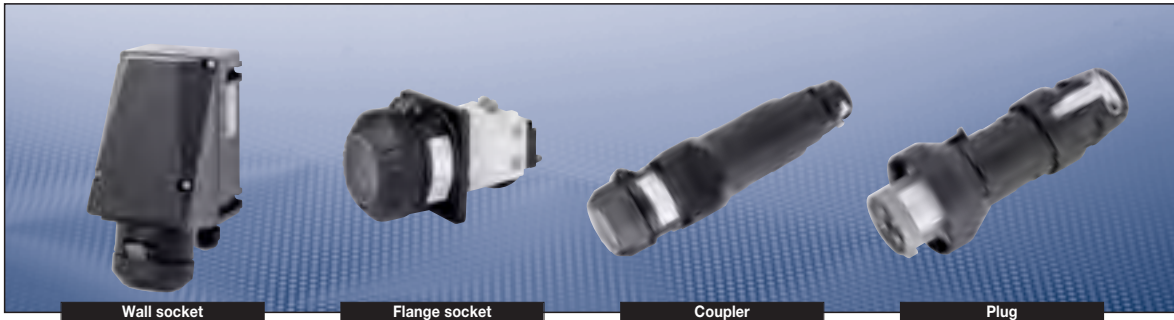


**16 A 3-pole, 4-pole and 5-pole up to 690 V**



**Technical data**

| Ex-plugs and receptacles acc. to IEC 60309-1/2 16A            |  |
|---|--|
| Marking to 94/9/EC  | Ⓔ II 2 G Ex ed IIC T6 / Ⓔ II 2 D Ex tD A21 IP66 T80 °C   |
| EC-Type Examination Certificate                               | Wall socket, plug and coupler: PTB 99 ATEX 1039<br>Flange socket: PTB 99 ATEX 1040 U           |
| IECEx certification of conformity                             | IECEx BKI 04.0002  |
| IECEx type of protection                                      | Ex ed [ia] IIC T6/T5   |
| Permissible ambient temperature                               | -20°C to +40°C <sup>1)</sup>   |
| Rated voltage   | up to 400 V (3-pole) / 690 V (4-pole) / 500 V (5-pole) AC                                      |
| Rated current   | 16 A   |
| Frequency   | up to 400 Hz   |
| Rated making/rated breaking capacity AC-3<br>accd. EN 60947-3 | U <sub>e</sub> 690 V / I <sub>e</sub> 16 A   |
| External back-up fuse, max.                                   | without therm. protection: 16 A<br>with therm. protection: 35 A gL (rated current 16 A set to) |
| Insulation class  | I  |
| Degree of protection to EN 60529                              | IP66   |

| Wall socket          |  |
|----------------------|--|
| Cable glands         | 1 x M25 Ø 8 - 17 mm, 1 x M25 Ex-screw plug plastic or<br>2 x metal thread M20 with Ex-screw plug plastic |
| Connecting terminals | 2 x 1 - 4 mm <sup>2</sup>  |
| Enclosure material   | Glass-fibre reinforced polyester   |

| Plug                 |   |
|----------------------|---|
| Cable glands         | Ø 8 - 19 mm (3-pole) / Ø 8 - 21 mm (4-pole) / 12 - 21 mm (5-pole) |
| Connecting terminals | 1 x 1.0 - 2.5 mm <sup>2</sup>                                     |
| Enclosure material   | polyamide   |

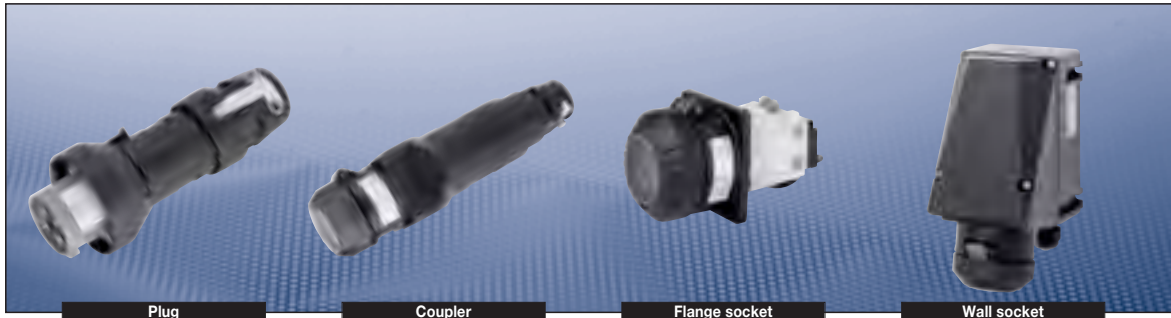
| Coupler              |   |
|----------------------|---|
| Cable glands         | Ø 8 - 19 mm (3-pole) / Ø 8 - 21 mm (4-pole) / 12 - 21 mm (5-pole) |
| Connecting terminals | 2 x 1 - 4 mm <sup>2</sup>   |
| Enclosure material   | polyamide   |

| Flange socket        |                           |
|----------------------|---------------------------|
| Connecting terminals | 2 x 1 - 4 mm <sup>2</sup> |
| Enclosure material   | polyamide                 |

<sup>1)</sup> extended temperature range on request

**Ordering details**

| Voltage   | h | Type          | Auxiliary contact | Cable entries | Weight approx. | Order No.                 |                           |
|-----------|---|---------------|-------------------|---------------|----------------|---------------------------|---------------------------|
| 110-130 V |   | Wall socket   | -                 | M25 KU        | 1.2 kg         | <b>GHG 511 4304 R0001</b> |                           |
|           |   | Wall socket   | -                 | M20 GE        | 1.2 kg         | <b>GHG 511 4304 R0002</b> |                           |
|           |   | Wall socket   | -                 | M20 ME        | 1.3 kg         | <b>GHG 511 4304 R3001</b> |                           |
|           |   | Wall socket   | -                 | M20 GM        | 1.3 kg         | <b>GHG 511 4304 R3003</b> |                           |
|           | 4 | Flange socket |                   |               |                | 0.4 kg                    | <b>GHG 511 8304 R0001</b> |
|           |   | Coupler       |                   |               |                | 0.7 kg                    | <b>GHG 511 3304 R0001</b> |
|           |   | Plug          |                   |               |                | 0.35 kg                   | <b>GHG 511 7304 R0001</b> |



Ordering details

| Voltage                 | h                       | Type          | Auxiliary contact | Cable entries | Weight approx.            | Order No.                 |
|-------------------------|-------------------------|---------------|-------------------|---------------|---------------------------|---------------------------|
| <b>Type 16 A 3-pole</b> |                         |               |                   |               |                           |                           |
| 200-250 V               |                         | Wall socket   | -                 | M25 KU        | 1.2 kg                    | <b>GHG 511 4306 R0001</b> |
|                         |                         | Wall socket   | -                 | M20 GE        | 1.2 kg                    | <b>GHG 511 4306 R0002</b> |
|                         |                         | Wall socket   | -                 | M20 ME        | 1.3 kg                    | <b>GHG 511 4306 R3001</b> |
|                         | 6                       | Wall socket   | -                 | M20 GM        | 1.3 kg                    | <b>GHG 511 4306 R3003</b> |
|                         |                         | Flange socket |                   |               | 0.4 kg                    | <b>GHG 511 8306 R0001</b> |
|                         |                         | Coupler       |                   |               | 0.7 kg                    | <b>GHG 511 3306 R0001</b> |
|                         |                         | Plug          |                   |               | 0.35 kg                   | <b>GHG 511 7306 R0001</b> |
| <b>Type 16 A 4-pole</b> |                         |               |                   |               |                           |                           |
| 200-250 V               |                         | Wall socket   | -                 | M25 KU        | 1.8 kg                    | <b>GHG 511 4409 R0001</b> |
|                         |                         | Wall socket   | -                 | M20 ME        | 1.9 kg                    | <b>GHG 511 4409 R3001</b> |
|                         |                         | Flange socket |                   |               | 1.0 kg                    | <b>GHG 511 8409 R0001</b> |
|                         | 9                       | Coupler       |                   |               | 1.7 kg                    | <b>GHG 511 3409 R0001</b> |
|                         |                         | Plug          |                   |               | 0.7 kg                    | <b>GHG 511 7409 R0001</b> |
| 380-415 V               |                         | Wall socket   | -                 | M25 KU        | 1.8 kg                    | <b>GHG 511 4406 R0001</b> |
|                         |                         | Wall socket   | -                 | M20 ME        | 1.9 kg                    | <b>GHG 511 4406 R3001</b> |
|                         |                         | Wall socket   | yes               | M25 KH        | 1.8 kg                    | <b>GHG 511 4406 R0501</b> |
|                         | 6                       | Flange socket |                   |               | 1.0 kg                    | <b>GHG 511 8406 R0001</b> |
|                         |                         | Coupler       |                   |               | 1.7 kg                    | <b>GHG 511 3406 R0001</b> |
|                         |                         | Plug          |                   |               | 0.7 kg                    | <b>GHG 511 7406 R0001</b> |
| 480-500 V               |                         | Wall socket   | -                 | M25 KU        | 1.8 kg                    | <b>GHG 511 4407 R0001</b> |
|                         |                         | Wall socket   | -                 | M20 ME        | 1.9 kg                    | <b>GHG 511 4407 R3001</b> |
|                         |                         | Wall socket   | yes               | M25 KH        | 1.8 kg                    | <b>GHG 511 4407 R0501</b> |
|                         | 7                       | Flange socket |                   |               | 1.0 kg                    | <b>GHG 511 8407 R0001</b> |
|                         |                         | Coupler       |                   |               | 1.7 kg                    | <b>GHG 511 3407 R0001</b> |
| 7                       | Plug                    |               |                   | 0.7 kg        | <b>GHG 511 7407 R0001</b> |                           |
|                         | 600-690 V               |               | Wall socket       | -             | M25 KU                    | 1.8 kg                    |
| Wall socket             |                         |               | -                 | M20 ME        | 1.9 kg                    | <b>GHG 511 4405 R3001</b> |
| Wall socket             |                         |               | yes               | M25 KH        | 1.8 kg                    | <b>GHG 511 4405 R0501</b> |
| 5                       |                         | Flange socket |                   |               | 1.0 kg                    | <b>GHG 511 8405 R0001</b> |
|                         |                         | Coupler       |                   |               | 1.7 kg                    | <b>GHG 511 3405 R0001</b> |
| 5                       | Plug                    |               |                   | 0.7 kg        | <b>GHG 511 7405 R0001</b> |                           |
|                         | <b>Type 16 A 5-pole</b> |               |                   |               |                           |                           |
| 200-250 V               |                         | Wall socket   | -                 | M25 KU        | 1.8 kg                    | <b>GHG 511 4506 R0001</b> |
| 380-415 V               |                         | Wall socket   | -                 | M20 ME        | 1.9 kg                    | <b>GHG 511 4506 R3001</b> |
|                         |                         | Wall socket   | yes               | M25 KH        | 1.8 kg                    | <b>GHG 511 4506 R0501</b> |
| 6                       |                         | Flange socket |                   |               | 1.0 kg                    | <b>GHG 511 8506 R0001</b> |
|                         |                         | Coupler       |                   |               | 1.7 kg                    | <b>GHG 511 3506 R0001</b> |
| 6                       | Plug                    |               |                   | 0.7 kg        | <b>GHG 511 7506 R0001</b> |                           |

Other voltage ranges and versions available on request.

KU = 1 x plastic cable glands M25 for Ø 8 -17 mm, 1 x M25 Ex-screw plug plastic

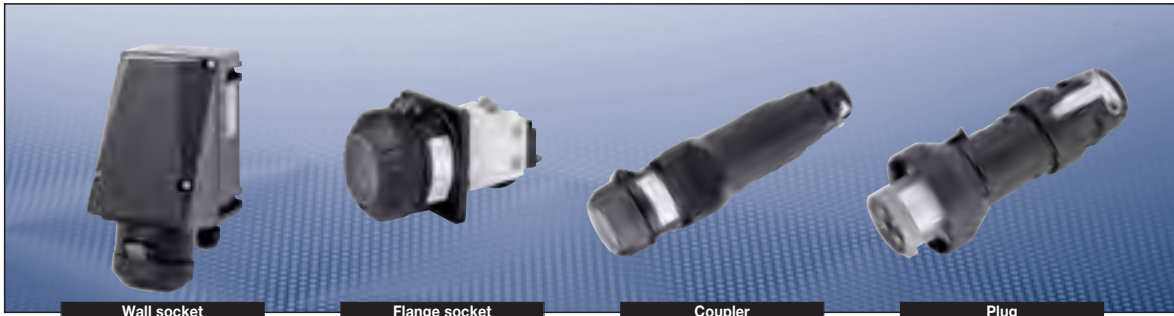
KH = 2 x plastic cable glands M25 for Ø 8 - 17 mm, auxiliary contact, 1 NO

ME = 2 x metal thread M20 with Ex-screw plug plastic

GE = 2 x plastic thread M20 without cable gland/screw plug

GM = 2 x metal thread M20 without cable gland/screw plug

**16A 3-pole, 4-pole and 5-pole up to 690 V**



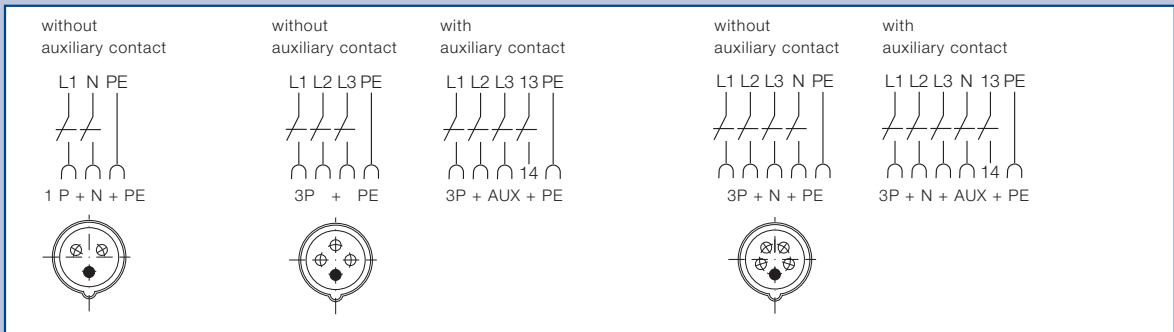
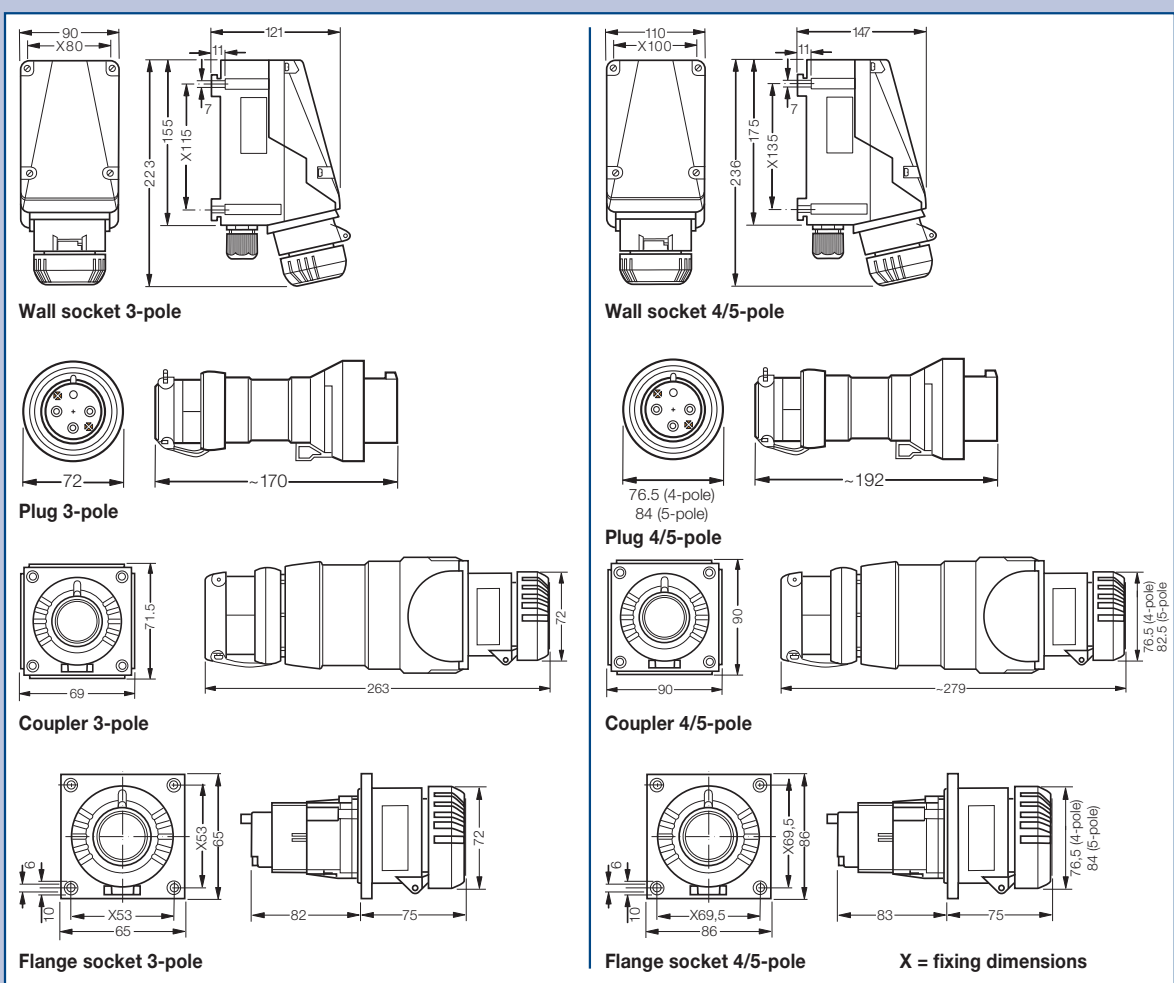
Wall socket

Flange socket

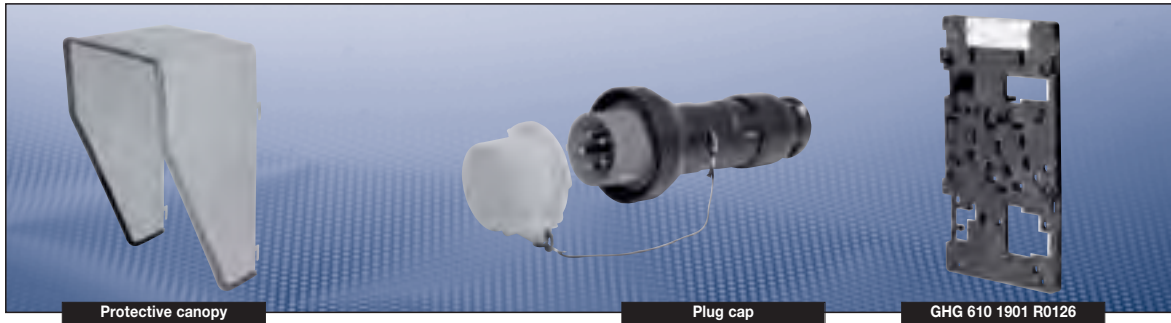
Coupler

Plug

**Dimension drawing | Wiring diagram**



Dimensions in mm



## Accessories

### Mounting plates for wall sockets 16 A

| Type   | Application          | Fixing method | Order No.          |
|--------|----------------------|---------------|--------------------|
| Size 4 | for wall mounting    | snapped on    | GHG 610 1953 R0126 |
| Size 4 | for trellis mounting | snapped on    | GHG 610 1953 R0126 |
| Size 4 | for pipe mounting    | snapped on    | GHG 610 1953 R0130 |

### Plug cap for plugs 16 A

| Type             | Order No.          |
|------------------|--------------------|
| Plug 16 A 3-pole | GHG 510 1901 R0001 |
| Plug 16 A 4-pole | GHG 510 1901 R0002 |
| Plug 16 A 5-pole | GHG 510 1901 R0003 |

### Accessories for mounting plates

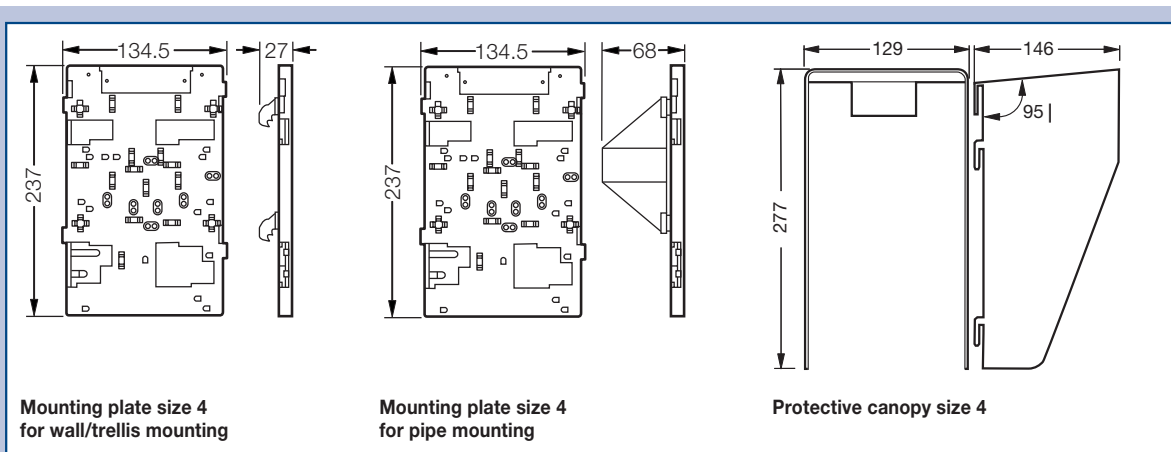
| Type  | OU | Order No.          |
|---|----|--------------------|
| Mounting set for pipes 1" (Ø 27 - 30 mm) for mounting plates with pipe fixing | 10 | GHG 610 1953 R0020 |

Please pay attention to that only order units (OU) according to the ordering details can be delivered.

### Protective canopy for mounting plate

| Type   | Application                        | Order No.          |
|--------|------------------------------------|--------------------|
| Size 4 | for mounting plate size 4 plugable | GHG 610 1955 R0107 |

## Dimension drawing



Mounting plate size 4 for wall/trellis mounting

Mounting plate size 4 for pipe mounting

Protective canopy size 4

Dimensions in mm