

Ordering details

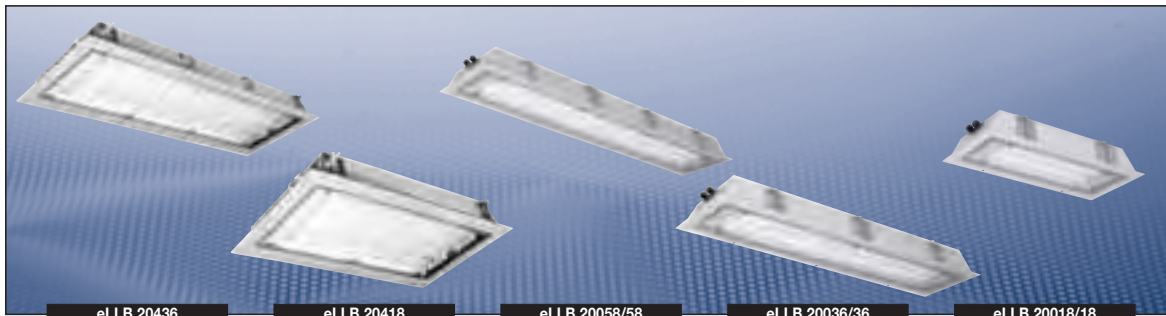
Type	Cable gland ³⁾	Enclosure	Order No.
Type eLLB 20018/18			
eLLB 20018/18	M20M ²⁾	stainless steel 316	1 2190 218 111
eLLB 20018/18	M20M ²⁾	painted steel sheet	1 2190 218 101
eLLB 20018/18	M25K	stainless steel 316	1 2190 218 011
eLLB 20018/18	M25K	painted steel sheet	1 2190 218 001
eLLB 20018/18 CG-S ¹⁾	M20M ²⁾	stainless steel 316	1 2190 218 723
eLLB 20018/18 CG-S ¹⁾	M20M ²⁾	painted steel sheet	1 2190 218 713
eLLB 20018/18 CG-S ¹⁾	M25K	stainless steel 316	1 2190 218 733
eLLB 20018/18 CG-S ¹⁾	M25K	painted steel sheet	1 2190 218 703
Type eLLB 20036/36			
eLLB 20036/36	M20M ²⁾	stainless steel 316	1 2190 236 111
eLLB 20036/36	M20M ²⁾	painted steel sheet	1 2190 236 101
eLLB 20036/36	M25K	stainless steel 316	1 2190 236 011
eLLB 20036/36	M25K	painted steel sheet	1 2190 236 001
eLLB 20036/36 CG-S ¹⁾	M20M ²⁾	stainless steel 316	1 2190 236 723
eLLB 20036/36 CG-S ¹⁾	M20M ²⁾	painted steel sheet	1 2190 236 713
eLLB 20036/36 CG-S ¹⁾	M25K	stainless steel 316	1 2190 236 733
eLLB 20036/36 CG-S ¹⁾	M25K	painted steel sheet	1 2190 236 703
Type eLLB 20058/58			
eLLB 20058/58	M20M ²⁾	stainless steel 316	1 2190 258 111
eLLB 20058/58	M20M ²⁾	painted steel sheet	1 2190 258 101
eLLB 20058/58	M25K	stainless steel 316	1 2190 258 011
eLLB 20058/58	M25K	painted steel sheet	1 2190 258 001
eLLB 20058/58 CG-S ¹⁾	M20M ²⁾	stainless steel 316	1 2190 258 723
eLLB 20058/58 CG-S ¹⁾	M20M ²⁾	painted steel sheet	1 2190 258 713
eLLB 20058/58 CG-S ¹⁾	M25K	stainless steel 316	1 2190 258 733
eLLB 20058/58 CG-S ¹⁾	M25K	painted steel sheet	1 2190 258 703
Type eLLB 20418			
eLLB 20418	M20M ²⁾	stainless steel 316	1 2190 418 111
eLLB 20418	M20M ²⁾	painted steel sheet	1 2190 418 101
eLLB 20418	M25K	stainless steel 316	1 2190 418 011
eLLB 20418	M25K	painted steel sheet	1 2190 418 001
eLLB 20418 CG-S ¹⁾	M20M ²⁾	stainless steel 316	1 2190 418 723
eLLB 20418 CG-S ¹⁾	M20M ²⁾	painted steel sheet	1 2190 418 713
eLLB 20418 CG-S ¹⁾	M25K	stainless steel 316	1 2190 418 733
eLLB 20418 CG-S ¹⁾	M25K	painted steel sheet	1 2190 418 703
Type eLLB 20436			
eLLB 20436	M20M ²⁾	stainless steel 316	1 2190 436 111
eLLB 20436	M20M ²⁾	painted steel sheet	1 2190 436 101
eLLB 20436	M25K	stainless steel 316	1 2190 436 011
eLLB 20436	M25K	painted steel sheet	1 2190 436 001
eLLB 20436 CG-S ¹⁾	M20M ²⁾	stainless steel 316	1 2190 436 723
eLLB 20436 CG-S ¹⁾	M20M ²⁾	painted steel sheet	1 2190 436 713
eLLB 20436 CG-S ¹⁾	M25K	stainless steel 316	1 2190 436 733
eLLB 20436 CG-S ¹⁾	M25K	painted steel sheet	1 2190 436 703

¹⁾ CG-S: design single monitored emergency light fitting for use in CEAG emergency light supply unit

²⁾ M: with metal thread, without cable gland

³⁾ With dustcover if entry/thread is not closed

Scope of delivery without lamp and fixing accessories.



Accessories

Lamp for luminaire eLLB 20...

Type of lamp socket/ Diameter	Power	Luminous flux Light colour	Order No.
Bi-pin socket G13 T26/Ø 26 mm (T8) G13-60081-IEC-2220-1	18 W	1350 lm white	3 2475 900 001
Bi-pin socket G13 T26/Ø 26 mm (T8) G13-60081-IEC-2420-1	36 W	3350 lm white	3 2475 900 002
Bi-pin socket G13 T26/Ø 26 mm (T8) G13-60081-IEC-2520-1	58 W	5200 lm white	3 2475 900 003
Aura-Ultimate T26/Ø 26 mm (T8) Longlife G13-socket	18 W 36 W 58 W	1300 lm white 3350 lm white 5200 lm white	3 2475 900 087 3 2475 900 088 on request

Fixing materials eLLB 20...

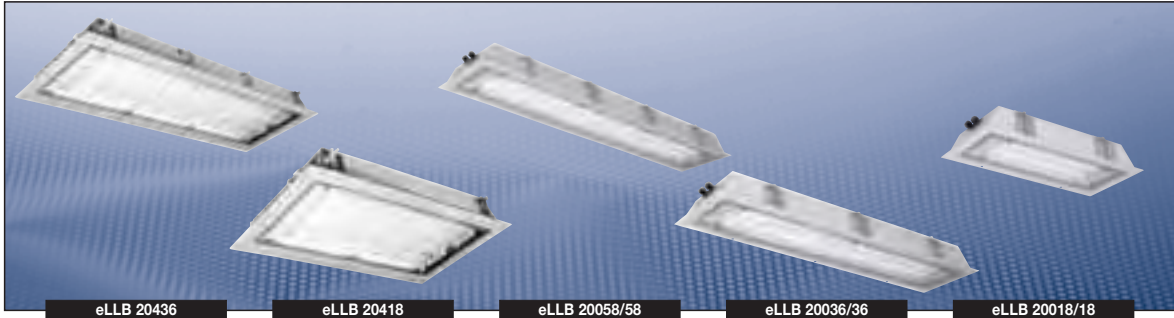
Type/code	Corrosion protection	Qty. per light fitting	Order No.
Eye bolt A2	galvanized	2	2 2480 002 000
Hexagon screw S4	stainless steel	2	2 2480 054 000
Ceiling mounting bracket D92 incl. screws and washer	stainless steel	2	2 2480 092 000

Fixing materials eLLB 20...

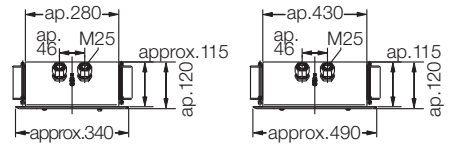
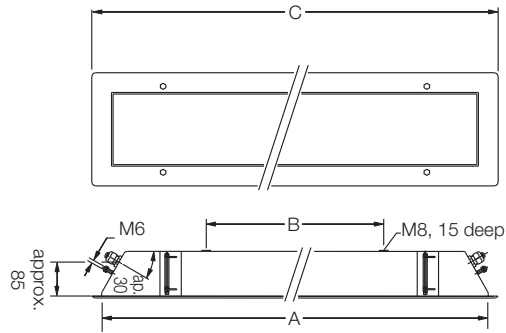
Type/code	Corrosion protection	for pipes DIN	Outer Ø D (mm)	Qty. per light fitting	Order No.
Pipe clamp R12	hot galvanized	1 1/4"	38 - 42	2	2 2480 462 000
R14	CrNi	1 1/4"	38 - 42	2	2 2480 464 000
R22	hot galvanized	1 1/2"	47 - 51	2	2 2480 472 000
R24	CrNi	1 1/2"	47 - 51	2	2 2480 474 000
R32	hot galvanized	2"	56 - 60	2	2 2480 482 000
R34	CrNi	2"	56 - 60	2	2 2480 484 000
Luminaire wall suspension 30° incl. screws and washer	hot galvanized			2	2 2480 000 122

Metal cable glands M20/M25 see page 8.10.

Complete Mounting Systems see page 2.70 to 2.76.



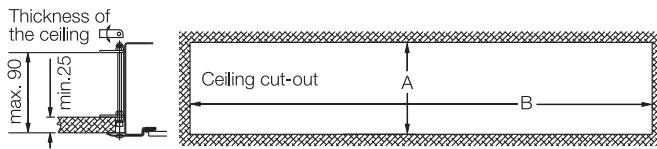
Dimension drawing | Polar curve



	A	B	C
eLLB 20018/18	802	400	862
eLLB 20036/36	1400	700	1460
eLLB 20058/58	1700	700	1760
eLLB 20418	802	400	862
eLLB 20436	1400	700	1460

eLLB 20018/18
 eLLB 20036/36
 eLLB 20058/58

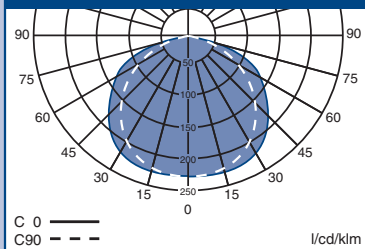
eLLB 20418
 eLLB 20436



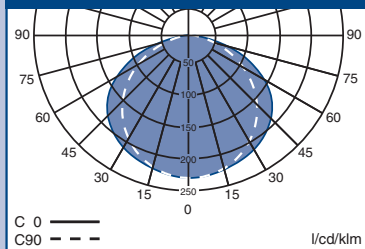
	A	B
eLLB 20018/18	315+3	832+5
eLLB 20036/36	315+3	1432+5
eLLB 20058/58	315+3	1732+5
eLLB 20418	465+3	832+5
eLLB 20436	465+3	1432+5

eLLB 20018/18 / eLLB 20036/36 / eLLB 20058/58 / eLLB 20418 / eLLB 20436

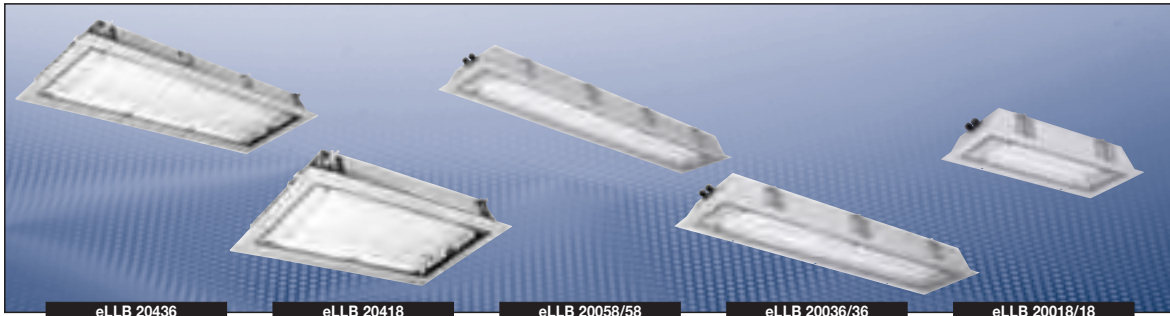
Polar curve
 eLLB 20018/18 / eLLB 20036/36
 eLLB 20058/58



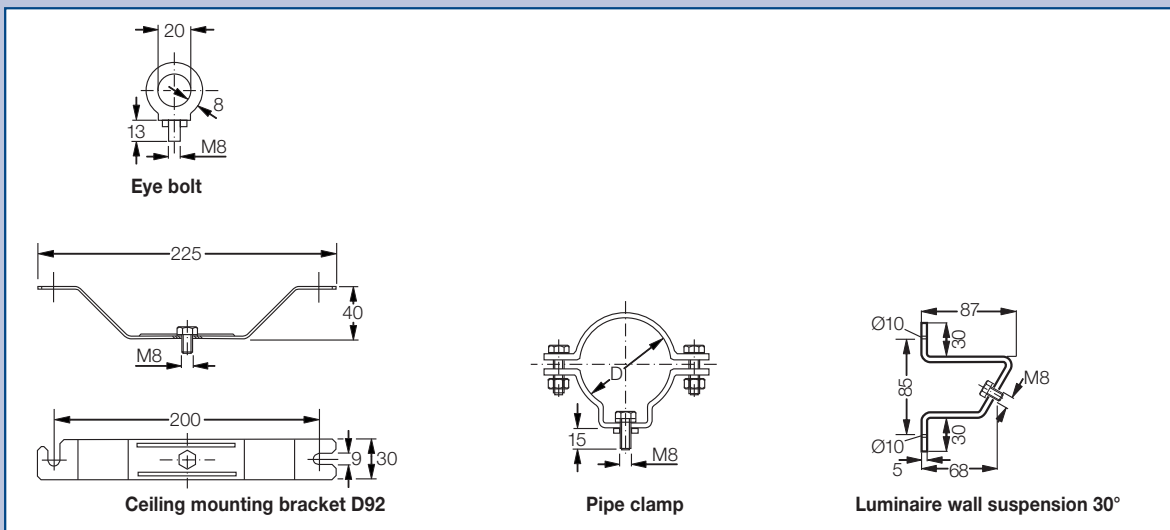
Polar curve
 eLLB 20418 / eLLB 20436



Dimensions in mm



Dimension drawing



Dimensions in mm

1
2
3
4
5
6
7
8
9
10
11
12