

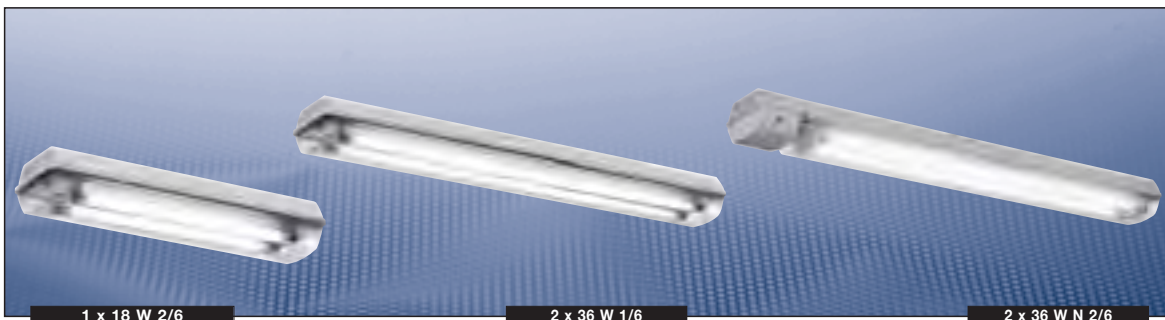
Technical data

nLLK 08018/18 N 1/6	nLLK 08018/18 N 2/6	nLLK 08036/36 N 1/6	nLLK 08036/36 N 2/6
Marking to 94/9/EC		Ⓔ II 3 G Ex nA de/de mb IIC T4 Ⓔ II 3 D Ex tD A22 IP66 T80 °C Ⓔ II 2 D Ex tD A21 IP66 T80 °C	
Examination Certificate		BVS 09 ATEX E 147	
EC-Type Examination Certificate		BVS 09 ATEX E 162	
Permissible ambient temperature		-25 °C to + 45 °C / -25 °C to +40 °C (2 x 36 W 2/6) (specified data: -5 °C to +35 °C)	
Rated voltage		220 V - 240 V AC	
Frequency		50 - 60 Hz	
Power factor cos φ		≥ 0.95	
Circuit		EVG with emergency lighting supply	
Connecting terminals		L1, L2, L3, L, N, PE, max. 2 x 6 mm ² per terminal	
Insulation class		I	
Lamp cap		G13 accd. to IEC 60081	
Light efficiency in operation		78%	
Rated emergency operation duration		1.5 h / 3 h	
Charging duration		> 24 h	
Degree of protection accd. EN 60529		IP66	
Cable glands/gland plates/enclosure drilling ¹⁾		Ex e cable glands M25 x 1.5 (plastic) for cables from Ø 8 - 17 mm Option: M20 x 1.5 metal thread	
Enclosure material		Glass-fibre reinforced polyester	
Protective cover/protective bowl		Polycarbonate	

	nLLLK 08018/18 N 1/6	nLLLK 08018/18 N 2/6 ²⁾
Rated current	0.18 A	0.18 A
Lamp/illuminant	2 x T26 / 18 W	2 x T26 / 18 W
Rated luminous flux ¹⁾	2700 lm	2700 lm
Luminous flux in emergency operation (1.5 h, one lamp) ¹⁾	880 lm (65 %)	880 lm (65 %)
Luminous flux in emergency operation (3 h, one lamp) ¹⁾	415 lm (30 %)	415 lm (30 %)
Battery	6 V/4 Ah NC Accu	6 V/4 Ah NC Accu
Dimensions (L x W x H)	760 x 188 x 130 mm	900 x 130 x 188 mm
Weight	approx. 4.5 kg	approx. 6.0 kg

	nLLK 08036/36 N 1/6	nLLK 08036/36 N 2/6 ²⁾
Rated current	0.36 A	0.36 A
Lamp/illuminant	2 x T26/ 36 W	2 x T26/ 36 W
Rated luminous flux ¹⁾	6700 lm	6700 lm
Luminous flux in emergency operation (1.5 h, one lamp) ¹⁾	1200 lm (36 %)	1200 lm (36 %)
Luminous flux in emergency operation (3 h, one lamp) ¹⁾	---	1040 lm (31 %)
Battery	6 V/4 Ah NC Accu	6 V/4 Ah NC Accu (1.5 h), 6 V/7 Ah NC Accu (3.0 h)
Dimensions (L x W x H)	1360 x 188 x 130 mm	1500 x 130 x 188 mm
Weight	approx. 6.8 kg	approx. 8.3 kg (1.5 h), approx. 9.3 kg (3.0 h)

¹⁾ depends on used lamps
²⁾ Version 2/6 with separate battery housing



Ordering details

Type	Connecting terminals	Through-wiring		With M25 plastic cable glands	For M20 metal ²⁾ cable glands	Rated emergency lighting operation	Order No.
		single-ended	double-ended				
Type nLLK 08018/18 N 1/6 (2 x 18 W)							
1/6-1	1 x 6	X	–	X	–	1.5 h	1 3470 218 001
1/6-1 M ¹⁾	1 x 6	X	–	–	X	1.5 h	1 3470 218 031
1/6-1	1 x 6	X	–	X	–	3 h	1 3469 218 001
1/6-1 M ¹⁾	1 x 6	X	–	–	X	3 h	1 3469 218 031
Type nLLK 08018/18 N 2/6 (2 x 18 W) ³⁾							
2/6-2	2 x 6	–	X	X	–	1.5 h	1 3470 218 011
2/6-2 M ¹⁾	2 x 6	–	X	–	X	1.5 h	1 3470 218 131
2/6-2	2 x 6	–	X	X	–	3 h	1 3469 218 011
2/6-2 M ¹⁾	2 x 6	–	X	–	X	3 h	1 3469 218 131
Type nLLK 08036/36 N 1/6 (2 x 36 W)							
1/6-1	1 x 6	X	–	X	–	1.5 h	1 3470 236 001
1/6-1 M ¹⁾	1 x 6	X	–	–	X	1.5 h	1 3470 236 031
Type nLLK 08036/36 N 2/6 (2 x 36 W) ³⁾							
2/6-2	2 x 6	–	X	X	–	1.5 h	1 3470 236 011
2/6-2 M ¹⁾	2 x 6	–	X	–	X	1.5 h	1 3470 236 131
2/6-2	2 x 6	–	X	X	–	3 h	1 3469 236 011
2/6-2 M ¹⁾	2 x 6	–	X	–	X	3 h	1 3469 236 131

¹⁾ M: with metal thread, without cable gland

²⁾ With dustcover if entry/thread is not closed

³⁾ Version 2/6 with separate battery housing

Version with integrated isolating switch on request

Scope of delivery without lamp and fixing accessories

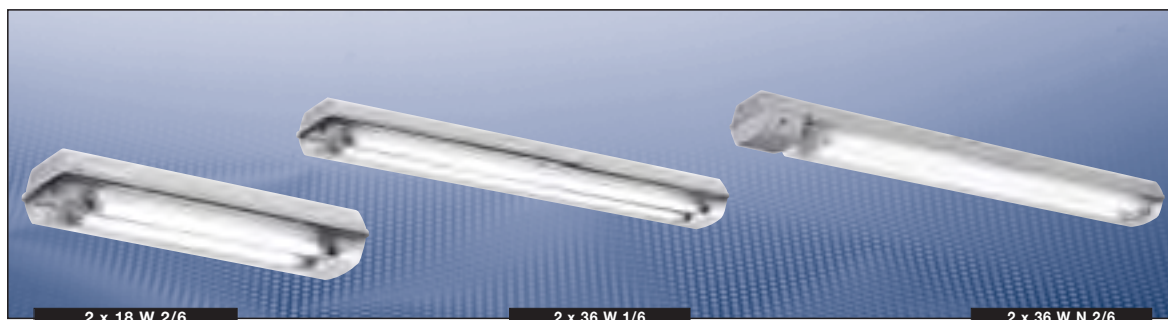
Accessories

Lamp for luminaire nLLK08... N/nLLM08... N

Type of lamp socket/ Diameter	Power	Luminous flux Light colour	Order No.
Bi-pin socket G13 T26/Ø 26 mm (T8) G13-60081-IEC-2220-1	18 W	1350 lm white	3 2475 900 001
Bi-pin socket G13 T26/Ø 26 mm (T8) G13-60081-IEC-2420-1	36 W	3350 lm white	3 2475 900 002
Aura-Ultimate T26/Ø 26 mm (T8) Longlife Socket G13	18 W 36 W	1300 lm white 3350 lm white	3 2475 900 087 3 2475 900 088

Metal cable glands M20/M25 see page 8.10.

Complete Mounting Systems see page 2.70 to 2.76.



Accessories

Series nLLK 08... N

Type	Order No.
Hexagon screw SW 13	3 2485 000 005

Series nLLK 08... N

Type	Order No.
Single sided through wiring 2/6 with 2 entries M25, incl. terminals and mounting material	2 2218 602 000

Fixing materials nLLK 08... N

Type/code	Corrosion protection	Qty. per light fitting	Order No.
Eye bolt A2	galvanized	2	2 2480 002 000
Hexagon screw S4	stainless steel	2	2 2480 054 000
Ceiling mounting bracket D92 incl. screws and washer	stainless steel	2	2 2480 092 000

Fixing materials nLLK 08... N

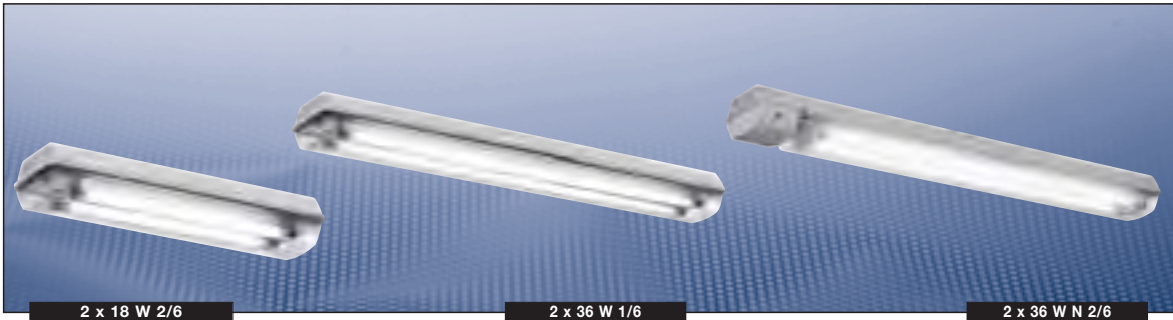
Type/code	Corrosion protection	for pipes DIN	Outer Ø D (mm)	Qty. per light fitting	Order No.
Pipe clamp R12	hot galvanized	1 1/4"	38 - 42	2	2 2480 462 000
R14	CrNi	1 1/4"	38 - 42	2	2 2480 464 000
R22	hot galvanized	1 1/2"	47 - 51	2	2 2480 472 000
R24	CrNi	1 1/2"	47 - 51	2	2 2480 474 000
R32	hot galvanized	2"	56 - 60	2	2 2480 482 000
R34	CrNi	2"	56 - 60	2	2 2480 484 000
Luminaire wall suspension 30° incl. screws and washer	hot galvanized			2	2 2480 000 122

Battery nLLK 08... N

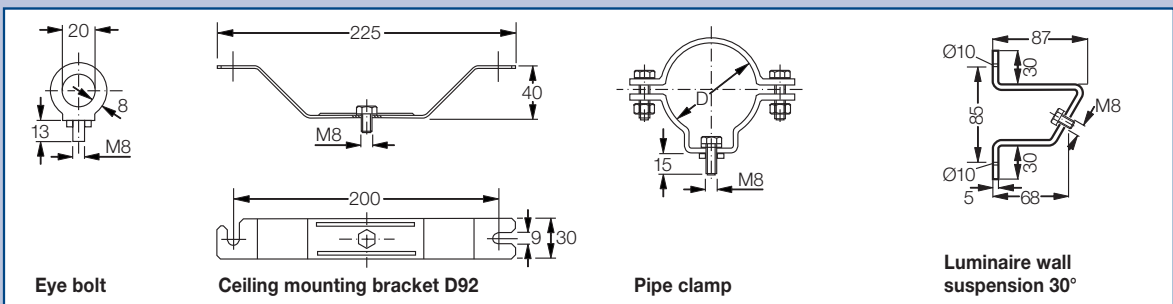
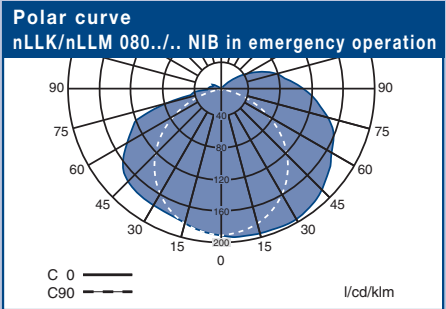
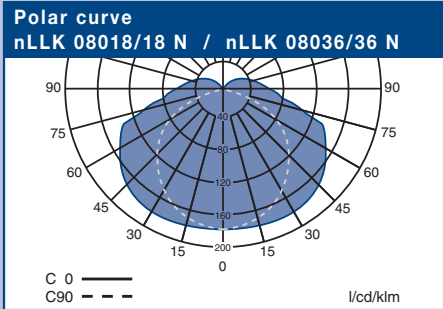
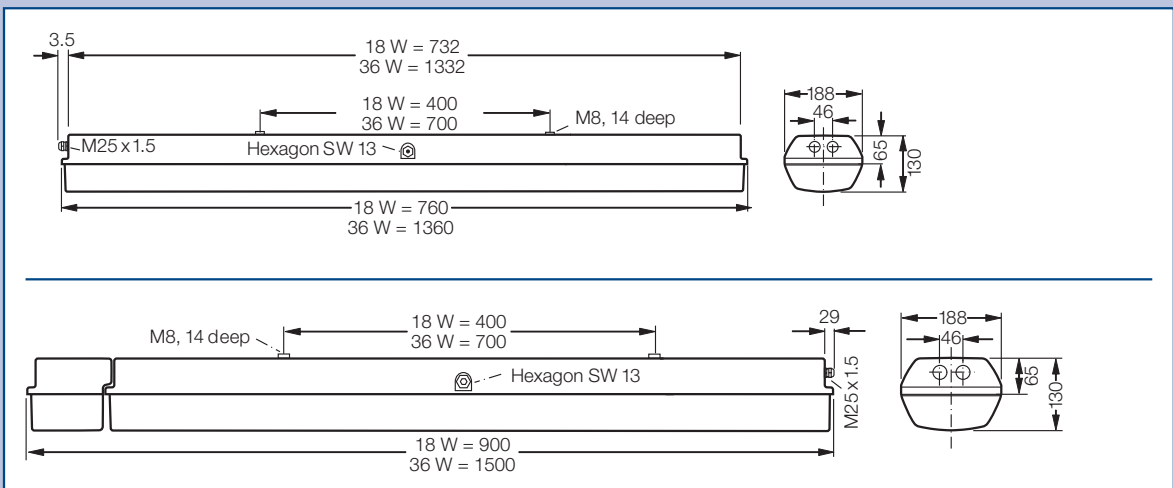
Type	Order No.
nLLK 08... N 1/6, nLLK 08... N 2/6	
Battery set 6 V/4 Ah (... 18/18 N 1/6, 1.5 h and 3 h, 36/36 N 1/6, 1.5 h)	2 3468 236 902
Battery set 6 V/4 Ah (... 18/18 N 1/6, 1.5 h and 3 h, 36/36 N 1/6, 1.5 h)	2 3468 236 903
Battery set 6 V/7 Ah (... 36/36 N 2/6, 3 h)	2 3468 236 904

Metal cable glands M20/M25 see page 8.10.

Complete Mounting Systems see page 2.70 to 2.76.



Dimension drawing | Polar curve



Dimensions in mm