

## Technical data

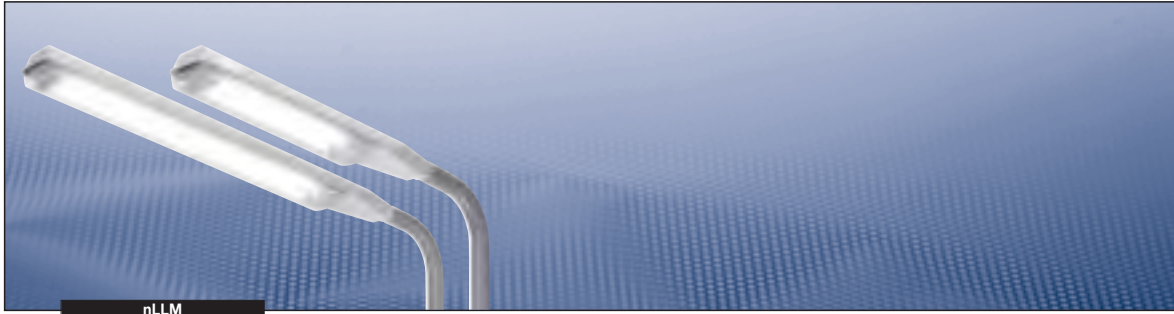
nLLK 08018/18	nLLK 08036	nLLK 08036/36	nLLK 08058	nLLK 08058/58
Marking to 94/9/EC	Ⓔ II 3 G Ex nA de/de mb IIC T4 Ⓔ II 3 D Ex tD A22 IP66 T80 °C Ⓔ II 2 D Ex tD A21 IP66 T80 °C			
Examination Certificate	BVS 09 ATEX E 147			
EC-Type Examination Certificate	BVS 09 ATEX E 162			
Permissible ambient temperature	-25 °C to +50 °C / -25 °C to +40 °C (2 x 58 W) -25 °C to +45 °C (2 x 36 W 2/5 + 2/6, excl. CG-S-Version)			
Rated voltage AC	220 V - 240 V AC			
Rated voltage AC (CG-S)	220 V - 254 V AC			
Rated voltage DC	220 V - 240 V DC			
Rated voltage DC (CG-S)	195 V - 250 V DC			
Frequency	50 - 60 Hz			
Power factor cos φ	≥ 0.95			
Circuit	EVG resp. EVG/CG-S			
Connecting terminals	L1, N, PE (option L1, L2, L3, N, PE) max. 2 x 2.5 mm <sup>2</sup> , clamp terminals; optional screw-type terminals max. 2 x 6 mm <sup>2</sup> (L1, L2, L3, L, N, PE)			
Insulation class	I			
Lamp cap	G13 accd. to IEC 60081			
Degree of protection accd. EN 60529	IP66			
Cable glands/gland plates/enclosure drilling	Ex e cable glands M25 x 1.5 (plastic) for cables from Ø 8 - 17 mm Option: M20 x 1.5 metal thread			
Enclosure material	Glass-fibre reinforced polyester			
Protective cover/protective bowl	Polycarbonate			

nLLK 08018/18	
Rated current	0.16 A / 0.17 A (CG-S variant)
Lamp/illuminant	2 x T26 / 18 W
Rated luminous flux <sup>1)</sup>	2700 lm
Light efficiency in operation	78 %
Dimensions (L x W x H)	760 x 188 x 130 mm
Weight	approx. 3.6 kg / approx. 5.6 kg (CG-S variant)

	nLLK 08036	nLLK 08036/36
Rated current	0.16 A	0.34 A / 0.35 A (CG-S variant)
Lamp/illuminant	1 x T26 / 36 W	2 x T26 / 36 W
Rated luminous flux <sup>1)</sup>	3350 lm	6700 lm
Light efficiency in operation	86 %	78 %
Dimensions (L x W x H)	1360 x 188 x 130 mm	1360 x 188 x 130 mm
Weight	approx. 5.6 kg	approx. 5.8 kg / approx. 8.0 kg (CG-S variant)

	nLLK 08058	nLLK 08058/58
Rated current	0.27 A	0.53 A / 0.54 A (CG-S variant)
Lamp/illuminant	1 x T26 / 58 W	2 x T26 / 58 W
Rated luminous flux <sup>1)</sup>	5200 lm	10400 lm
Light efficiency in operation	83%	72%
Dimensions (L x W x H)	1660 x 188 x 130 mm	1660 x 188 x 130 mm
Weight	approx. 6.7 kg	approx. 6.9 kg / approx. 9.0 kg (CG-S variant)

<sup>1)</sup> depends on used lamps



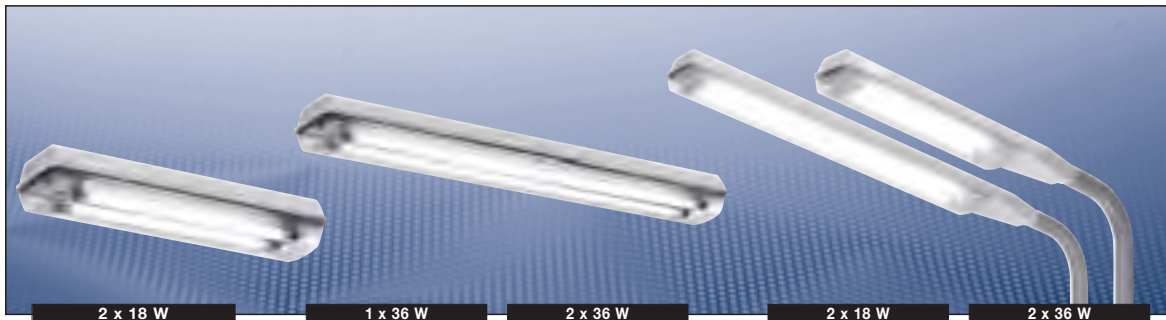
## Technical data

### nLLM 08018/18 | nLLM 08036/36

Marking to 94/9/EC	II 3 G Ex nA de/de mb IIC T4 II 3 D Ex tD A22 IP66 T80 °C II 2 D Ex tD A21 IP66 T80 °C
Examination Certificate	BVS 09 ATEX E 147
EC-Type Examination Certificate	BVS 09 ATEX E 162
Permissible ambient temperature	-25 °C to +50 °C
Rated voltage	220 V - 240 V AC
Rated voltage	220 V - 240 V DC
Frequency	50 - 60 Hz
Power factor cos φ	≥ 0.95
Circuit	EVG
Connecting terminals	L, N, PE screw-type terminals max. 2 x 6 mm <sup>2</sup>
Insulation class	I
Lamp cap	G13 accd. to IEC 60081
Degree of protection accd. EN 60529	IP66
Cable glands	1 x Ex e cable glands M25 x 1.5 (plastic) for cables from Ø 8 - 17 mm
Enclosure material	Glass-fibre reinforced polyester
Protective cover/protective bowl	Polycarbonate

	nLLM 08018/18	nLLM 08036/36
Rated current	0.16 A	0.34 A
Lamp/illuminant	2 x T26 / 18 W	2 x T26 / 36 W
Rated luminous flux <sup>1)</sup>	2700 lm	6700 lm
Light efficiency in operation	78 %	78 %
Dimensions (L x W x H)	760 x 188 x 130 mm	1360 x 188 x 130 mm
Pole socket	Ø 44 mm x 150 mm	Ø 44 mm x 150 mm
Weight	approx. 6.1 kg	approx. 8.4 kg

<sup>1)</sup> depends on used lamps



## Ordering details

Type	Terminals	Through-wiring		Cable glands <sup>2)</sup>	Plugs	Order No.
		single-ended	double-ended			
<b>Type nLLK 08018/18 (2 x 18 W)</b>						
1/3-1	1 x 3	x	–	1 x M25 x 1.5	1 x threaded	<b>1 3465 218 001</b>
2/5-2	2 x 5	–	x	2 x M25 x 1.5	2 x threaded	<b>1 3465 218 011</b>
2/6-2 M <sup>1) 4)</sup>	2 x 6	–	x	4 x M20 x 1.5	2 x threaded	<b>1 3465 218 021</b>
<b>Type nLLK 08018/18 CG-S<sup>2)</sup> (2 x 18 W)</b>						
2/6-2 <sup>4)</sup>	2 x 6	–	x	2 x M25 x 1.5	2 x threaded	<b>1 3465 218 912</b>
2/6-M <sup>1) 4)</sup>	2 x 6	–	x	4 x M20 x 1.5	2 x threaded	<b>1 3465 218 922</b>
<b>Type nLLM 08018/18 (2 x 18 W)</b>						
1/3-1	1 x 3	–	–	1 x M25 x 1.5	–	<b>1 3465 218 101</b>
<b>Type nLLK 08036 (1 x 36 W)</b>						
1/3-1	1 x 3	x	–	1 x M25 x 1.5	1 x threaded	<b>1 3465 136 001</b>
2/5-2	2 x 5	–	x	2 x M25 x 1.5	2 x threaded	<b>1 3465 136 011</b>
2/6-2M <sup>1) 4)</sup>	2 x 6	–	x	4 x M20 x 1.5	2 x threaded	<b>1 3465 136 021</b>
<b>Type nLLK 08036/36 (2 x 36 W)</b>						
1/3-1	1 x 3	x	–	1 x M25 x 1.5	1 x threaded	<b>1 3465 236 001</b>
2/5-2	2 x 5	–	x	2 x M25 x 1.5	2 x threaded	<b>1 3465 236 011</b>
2/6-2M <sup>1) 4)</sup>	2 x 6	–	x	4 x M20 x 1.5	2 x threaded	<b>1 3465 236 021</b>
<b>Type nLLK 08036/36 CG-S<sup>2)</sup> (2 x 36 W)</b>						
2/6-2 <sup>4)</sup>	2 x 6	–	x	2 x M25 x 1.5	2 x threaded	<b>1 3465 236 912</b>
2/6-2M <sup>1) 4)</sup>	2 x 6	–	x	4 x M20 x 1.5	2 x threaded	<b>1 3465 236 922</b>
<b>Type nLLM 08036/36 (2 x 36 W)</b>						
1/3-1	1 x 3	–	–	1 x M25 x 1.5	–	<b>1 3465 236 101</b>
<b>Type nLLK 08058 (1 x 58 W)</b>						
1/3-1	1 x 3	x	–	1 x M25 x 1.5	1 x threaded	<b>1 3465 158 001</b>
2/5-2	2 x 5	–	x	2 x M25 x 1.5	2 x threaded	<b>1 3465 158 011</b>
2/6-2M <sup>1) 4)</sup>	2 x 6	–	x	4 x M20 x 1.5	2 x threaded	<b>1 3465 158 021</b>
<b>Type nLLK 08058/58 (2 x 58 W)</b>						
1/3-1	1 x 3	x	–	1 x M25 x 1.5	1 x threaded	<b>1 3465 258 001</b>
2/5-2	2 x 5	–	x	2 x M25 x 1.5	2 x threaded	<b>1 3465 258 011</b>
2/6-2M <sup>1) 4)</sup>	2 x 6	–	x	4 x M20 x 1.5	2 x threaded	<b>1 3465 258 021</b>
<b>Type nLLK 08058/58 CG-S<sup>2)</sup> (2 x 58 W)</b>						
2/6-2 <sup>4)</sup>	2 x 6	–	x	2 x M25 x 1.5	2 x threaded	<b>1 3465 258 912</b>
2/6-2M <sup>1) 4)</sup>	2 x 6	–	x	4 x M20 x 1.5	2 x threaded	<b>1 3465 258 922</b>

<sup>1)</sup> M: with metal thread, without cable gland

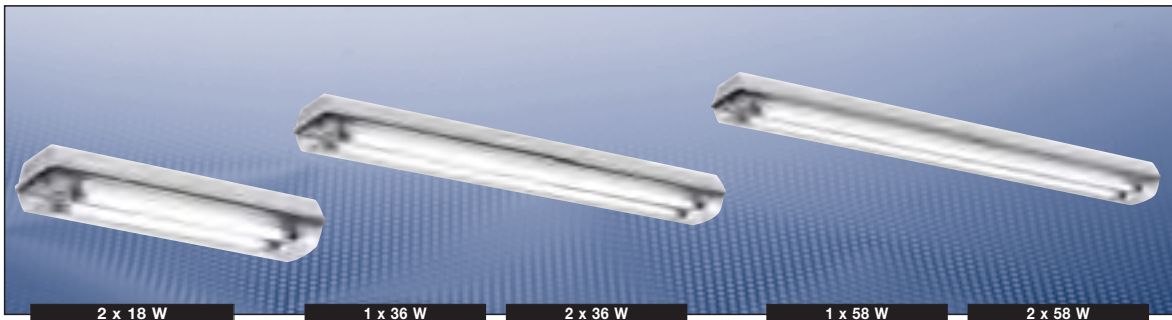
<sup>2)</sup> CG-S: design single monitored emergency light fitting for use in CEAG emergency light supply unit

<sup>3)</sup> With dustcover if entry/thread is not closed

<sup>4)</sup> With screw-type terminals max. 2 x 6 mm<sup>2</sup>

**Version with integrated isolating switch on request**

**Scope of delivery without lamp and fixing accessories**



## Accessories

### Lamp for luminaire nLLK08/nLLM08

Type of lamp	Power	Luminous flux Light colour	Order No.
Bi-pin socket G13 T26/Ø 26 mm (T8) G13-60081-IEC-2220-1	18 W	1350 lm white	3 2475 900 001
Bi-pin socket G13 T26/Ø 26 mm (T8) G13-60081-IEC-2420-1	36 W	3350 lm white	3 2475 900 002
Bi-pin socket G13 T26/Ø 26 mm (T8) G13-60081-IEC-2520-1	58 W	5200 lm white	3 2475 900 003
Aura-Ultimate	18 W	1300 lm white	3 2475 900 087
T26/Ø 26 mm (T8) Longlife	36 W	3350 lm white	3 2475 900 088
Socket G13	58 W	5200 lm white	on request

### Series nLLK 08... and nLLM 08...

Type	Order No.
Hexagon screw SW 13	3 2485 000 005

### Series nLLM 08018/18 and nLLM 08036/36

Type	Order No.
Single sided through wiring 2/6 with 2 entries M25, incl. terminals and mounting material	2 2218 602 000

### Fixing materials nLLK 08

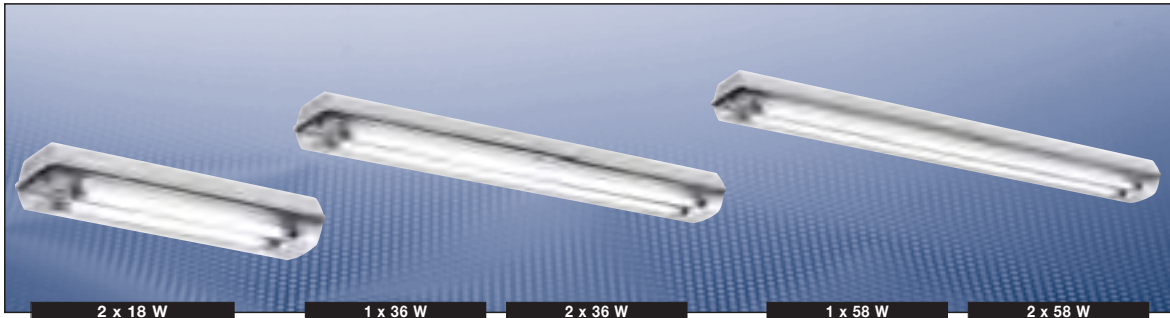
Type/code	Corrosion protection	Qty. per light fitting	Order No.
Eye bolt A2	galvanized	2	2 2480 002 000
Hexagon screw S4	stainless steel	2	2 2480 054 000
Ceiling mounting bracket D92 incl. screws and washer	stainless steel	2	2 2480 092 000

### Fixing materials nLLK 08... and nLLM 08...

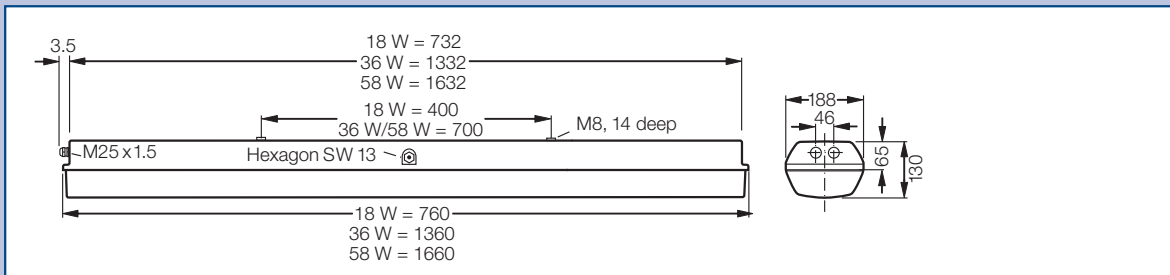
Type/code	Corrosion protection	for pipes DIN	Outer Ø D (mm)	Qty. per light fitting	Order No.
Pipe clamp					
R12	hot galvanized	1 1/4"	38 - 42	2	2 2480 462 000
R14	CrNi	1 1/4"	38 - 42	2	2 2480 464 000
R22	hot galvanized	1 1/2"	47 - 51	2	2 2480 472 000
R24	CrNi	1 1/2"	47 - 51	2	2 2480 474 000
R32	hot galvanized	2"	56 - 60	2	2 2480 482 000
R34	CrNi	2"	56 - 60	2	2 2480 484 000
Wall bracket W27	hot galvanized		42.4	1	2 2483 027 000
Luminaire wall suspension 30° incl. screws and washer	hot galvanized			2	2 2480 000 122

Metal cable glands M20/M25 see page 8.10.

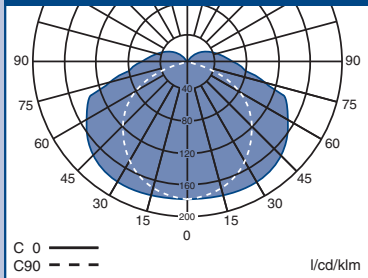
Complete Mounting Systems see page 2.70 to 2.76.



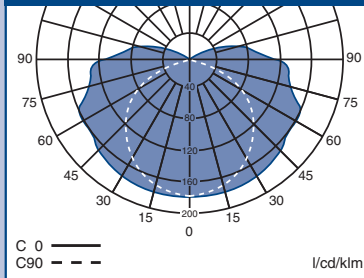
**Dimension drawing | Polar curve | Accessories**



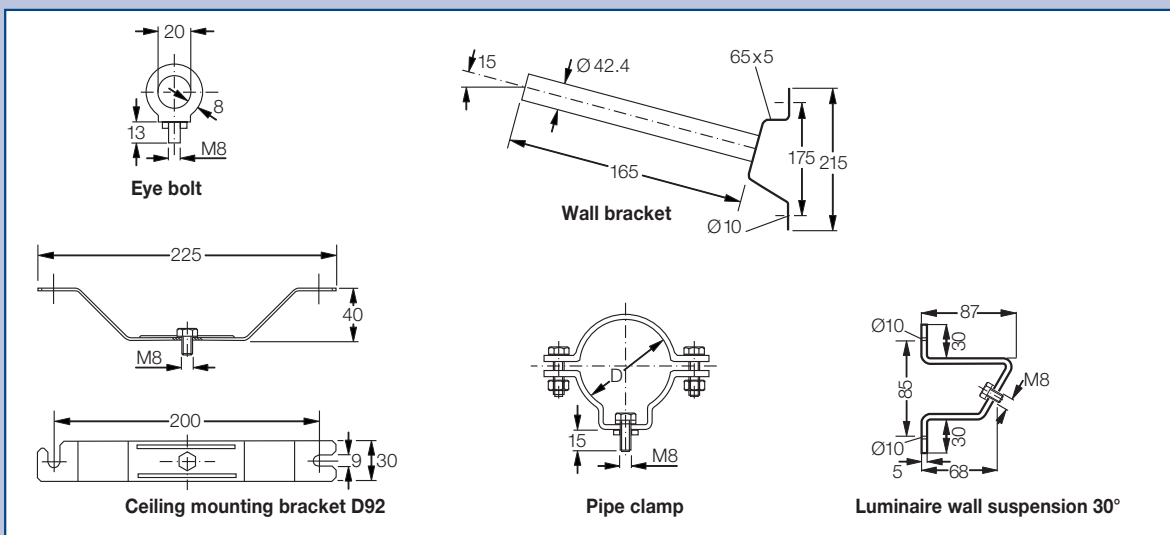
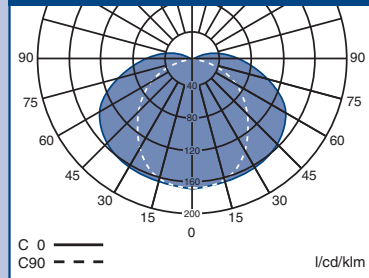
**Polar curve**  
nLLK/M 08018/18 / nLLK/M 08036/36



**Polar curve**  
nLLK/M 08036 / nLLK 08058



**Polar curve**  
nLLK 08058/58



Dimensions in mm