

Technical Data

	Zone 1	Zone 2	Zone 21/22
Type of Protection	Exe d, ExtD A21 IP66T80°C		
Degree of Protection	IP66		
Gas Group	IIC		
Approvals	IECEX BK1 04.0003		
Application	Motor & process control stations		
Standard Materials	Bases & covers - high impact strength, corrosion resistant polyamide 12 Gaskets - 2 component polyurethane foam External hardware - stainless steel		
Options	Stainless Steel available upon request (add suffix SS to part no.)		



Ordering Details

Catalogue No.	Size (mm)	No. of Operators	No. of Terminals
DSEA1	100 x 156 x 90	2	-
DSEA2	100 x 245 x 90	4	-
DSEA1-SS	140 x 166 x 76	2	-
DSEA2-SS	140 x 286 x 76	4	-
GHG444 23	148 x 271 x 136	6	20
GHG448 23	285 x 271 x 163	18	30
GHG449 23	285 x 544 x 136	36	60
GHG447 23	285 x 817 x 136	54	90
GHG444 33-SS	175 x 312.5 x 135	6	20
GHG448 33-SS	312.5 x 312.5 x 135	18	30
GHG449 33-SS	312.5 x 627 x 135	36	60
GHG447 33-SS	312.5 x 941.5 x 135	54	90

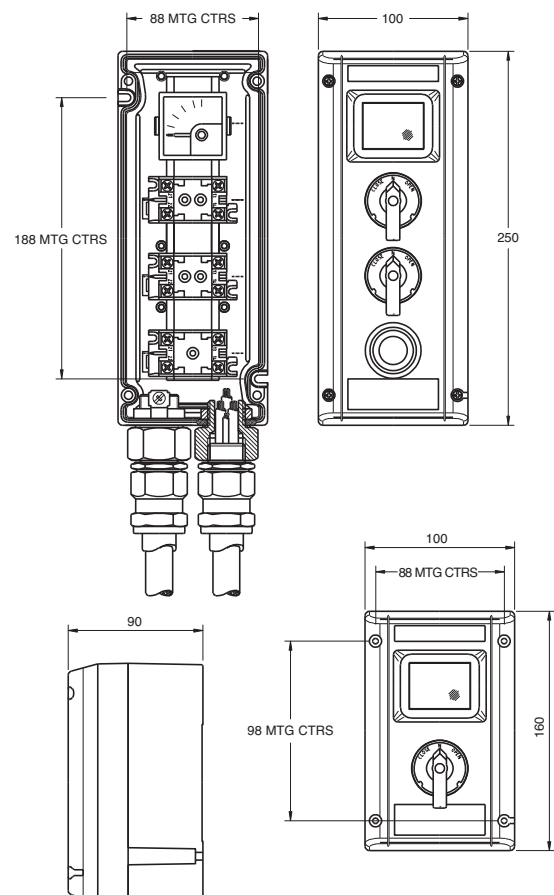
Table 1

Device Type	Description
1	Push Button c/w 1-N/O & 1-N/C
2	Mushroom Head Push Button c/w 1-N/O & 1-N/C Momentary Contact
3	Mushroom Head, Push Button c/w 1-N/O & 1-N/C Maintained Off, Pull To Reset
4	Mushroom Head Push Button c/w 1-N/O & 1-N/C Key To Reset
5	Selector Switch, 2 Poles ON/OFF Maintained
6	Selector Switch, 2 Positions, 1P Change Over
6SL	Selector Switch, 3 Positions, 1P Change Over
6SR	Selector Switch, 3 Positions, 1P Change Over, Spring Return From Right
6SLR	Selector Switch, 3 Positions, 1P change Over, Spring Return To Centre
7	Ammeter, 72mm Square, CT Operated, 1A Movement (5A on request)
8	Pilot Light, 12-240V ac/dc, 50/60 Hz (optional for other voltages)



Ordering Details

Start push button	DSEA1-1
Stop/start double push button	DSEA1-11
Fire alarm break glass push button	DSEA1-1BG
MRH stop push button, pull to release	DSEA1-3
MRH stop push button, 2NC contacts	DSEA1-3-2NC
Padlockable MRH pull to release stop push button	DSEA1-3P
Padlockable MRH stop push button - 2 NC contacts	DSEA1-3P-2NC
2 position selector switch, 1 NO & 1NC	DSEA1-5
3 position off, run, start switch	DSEA1-6
72x72mm ammeter n=1A or 5A or 20mA	DSEA1-7
Pilot light 240V	DSEA1-8*
Flush start push button & MRH stop	DSEA1-1-3
Padlockable flush start push button c/w MRH stop	DSEA1-1-3P
Start push button & pilot light 240V	DSEA1-1-8*
Pilot light 240V & pilot light 240V	DSEA1-8*-8*
Double stop/start push button & remote local selector switch	DSEA1-11-5
Start push button + MRH stop & pilot light	DSEA2-1-3-8*
Double push button + 2 pilot lights	DSEA2-8*-8*-11
4 double push buttons	DSEA2-11-11-11-11
2 double push buttons & 2 pilot lights	DSEA2-11-8*-11-8*
2 flush push buttons & 2 MRH push buttons	DSEA2-1-3-1-3
1 x AM72 ammeter + 1 push button & 1 MRH push button	DSEA2-7-1-3



4-6