

Technical data

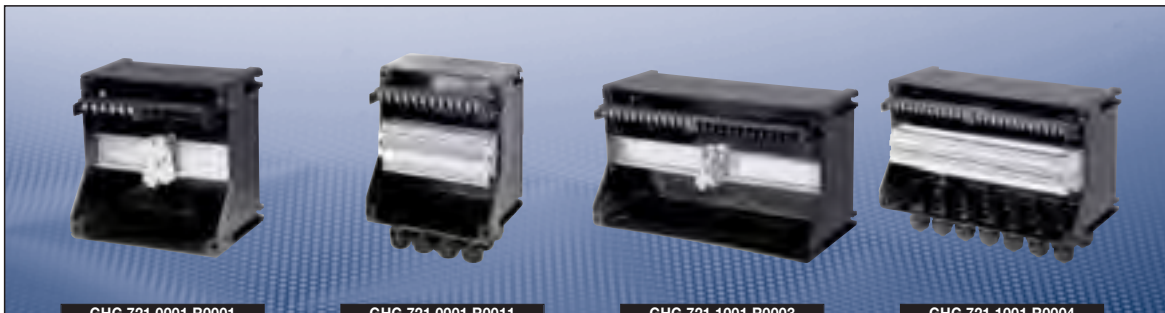
GHG 721 00 up to 26 terminals GHG 721 10 up to 48 terminals	
Marking to 94/9/EC	Ⓔ II 2 G Ex de ia/ib [ia/ib] m IIC T4 / Ⓔ II 2 D Ex tD A21 IP66 T 80 °C
EC-Type Examination Certificate	PTB 99 ATEX 1044
IECEX certification of conformity	IECEX BK1 05.0005
Marking accd. to IECEX	Ex e ia/ib [ia/ib] IIC T4/T6 Ex tD A21 IP66 T80 °C
Permissible ambient temperature	-20 °C to +40 °C -55 °C to +55 °C (option)
Rated voltage	690 V
Rated current	Depends on terminal mounting
Insulation class	I
Degree of protection accd. EN 60529	IP66
Enclosure material	Glass-fibre reinforced polyester
Enclosure colour	black

GHG 721 00 up to 26 terminals								
Connecting terminals	up to 16 mm ²							
Dimensions (L x W x H)	165 x 165 x 131.5 mm							
Weight	approx. 1.1 kg							
Drillings/cable glands	M12	M16	M20	M25	M32	M40	M50	M63
Max. number down	35	20	12	11	6	4	2	2
Max. number flange plastic	11	6	4	3	2	1	1	-
Max. number flange metal	-	-	3	2	1	-	-	-
Terminal mounting space on the terminal rail	140 mm							
Max. number of terminals acc. to certification	2.5 mm ²	4 mm ²	6 mm ²	10 mm ²	16 mm ²			
	26	22	17	13	11			

GHG 721 10 up to 48 terminals								
Connecting terminals	up to 16 mm ²							
Dimensions (L x W x H)	165 x 285 x 143 mm							
Weight	approx. 1.7 kg							
Drillings/cable glands	M12	M16	M20	M25	M32	M40	M50	M63
Max. number down	75	42	32	21	11	8	4	3
Max. number flange plastic	46	25	20	11	8	4	3	2
Max. number flange metal	-	-	12	9	5	3	3	2
Terminal mounting space on the terminal rail	262 mm							
Max. number of terminals acc. to certification	2.5 mm ²	4 mm ²	6 mm ²	10 mm ²	16 mm ²			
	48	40	30	24	20			

1
2
3
4
5
6
7
8
9
10
11
12

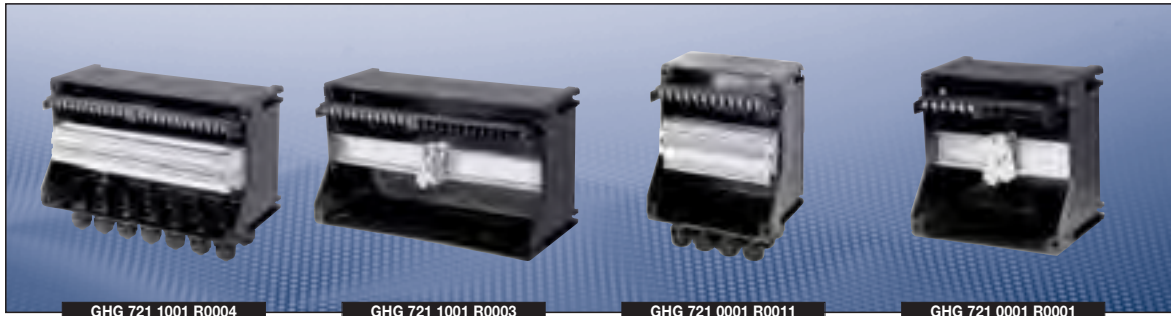
Ex-e/Ex-i terminal box



Ordering details

Design	Cable gland	No. of Terminals	Order No.
Type 721 00 up to 26 terminals assembled with screw terminals 2 x 2.5 mm ² + PE/PA-rail 2.5 mm ²			
Ex-e	1 x M32 for cable Ø 12-21 mm 3 x M32 for 4 cable Ø 4.5-7 mm	24 x Ex-e 12 x PE/PA	GHG 721 0001 R0005
Ex-i	1 x M32 for cable Ø 12-21 mm 3 x M32 for 4 cable Ø 4.5-7 mm	24 x Ex-i 12 x PE/PA	GHG 721 0001 R0006
Ex-e	1 x M32 for cable Ø 12-21 mm 12 x M20 for cable Ø 5.5-13 mm	24 x Ex-e 12 x PE/PA	GHG 721 0001 R0007
Ex-i	1 x M32 for cable Ø 12-21 mm 12 x M20 for cable Ø 5.5-13 mm	24 x Ex-i 12 x PE/PA	GHG 721 0001 R0008
Type 721 00 up to 26 terminals assembled with screwless terminals 2 x 2.5 mm ² + PE/PA-rail 2.5 mm ²			
Ex-i	1 x M32 for cable Ø 12-21 mm 3 x M32 for 4 cable Ø 4.5-7 mm	24 x Ex-i 12 x PE/PA	GHG 721 0001 R0010
Ex-e	1 x M32 for cable Ø 12-21 mm 12 x M20 for cable Ø 5.5-13 mm	24 x Ex-e 12 x PE/PA	GHG 721 0001 R0011
Ex-i	1 x M32 for cable Ø 12-21 mm 12 x M20 for cable Ø 5.5-13 mm	24 x Ex-i 12 x PE/PA	GHG 721 0001 R0012
Type 721 10 up to 48 terminals assembled with screw terminals 2 x 2.5 mm ² + PE/PA-rail 2.5 mm ²			
Ex-e	without drilling	1 x Ex-e ¹⁾ / 24 x PE	GHG 721 1001 R0003
Type 721 10 up to 48 terminals assembled with screw terminals 2 x 2.5 mm ² + PE/PA-rail 2.5 mm ²			
Ex-i	1 x M40 for cable Ø 16-28 mm 6 x M32 for 4 cable Ø 4.5-7 mm	48 x Ex-i 24 x PE/PA	GHG 721 1001 R0013
Ex-e	1 x M40 for cable Ø 16-28 mm 24 x M20 for cable Ø 5.5-13 mm	48 x Ex-e 24 x PE/PA	GHG 721 1001 R0004
Ex-i	1 x M40 for cable Ø 16-28 mm 24 x M20 for cable Ø 5.5-13 mm	48 x Ex-i 24 x PE/PA	GHG 721 1001 R0015
Type 721 10 up to 48 terminals assembled with screwless terminals 2 x 2.5 mm ² + PE/PA-rail 2.5 mm ²			
Ex-i	1 x M40 for cable Ø 16-28 mm 6 x M32 for 4 cable Ø 4.5-7 mm	48 x Ex-i 24 x PE/PA	GHG 721 1001 R0017
Ex-e	1 x M40 for cable Ø 16-28 mm 24 x M20 for cable Ø 5.5-13 mm	48 x Ex-e 24 x PE/PA	GHG 721 1001 R0018
Ex-i	1 x M40 for cable Ø 16-28 mm 24 x M20 for cable Ø 5.5-13 mm	48 x Ex-i 24 x PE/PA	GHG 721 1001 R0019

¹⁾ according to type examination certificate individual extensible
Other types on request



Accessories

Mounting plate for junction box 721 00

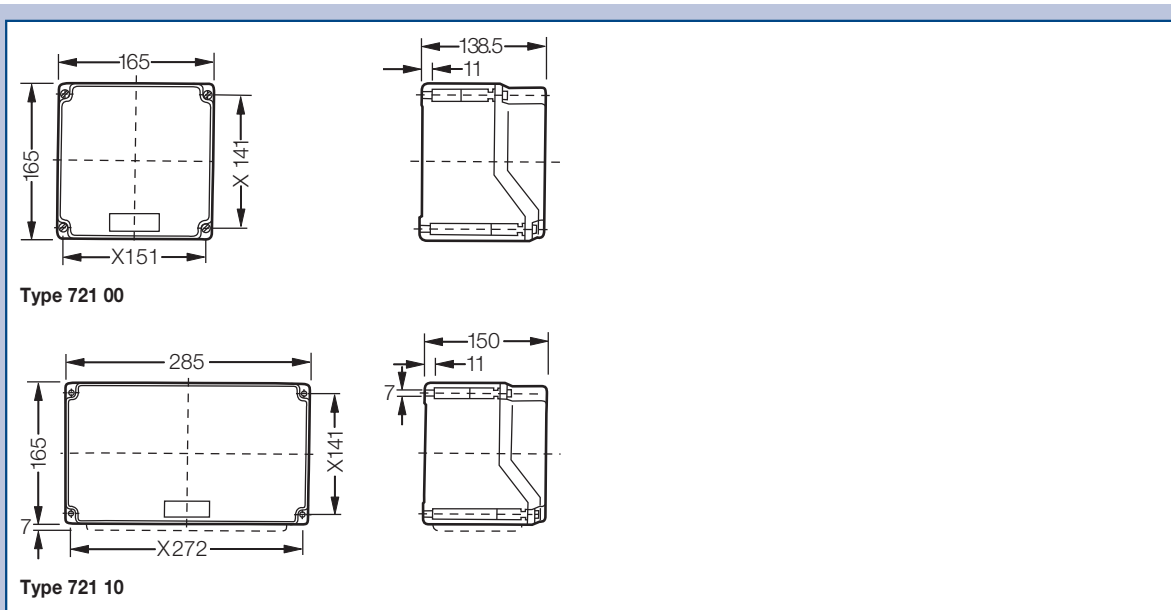
Type	Application	Fixing method	Order No.
Size 2A	Wall mounting	screwless mounting	GHG 610 1953 R0107
Size 2A	Trellis mounting	screwless mounting	GHG 610 1953 R0109
Size 2A	Pipe mounting	screwless mounting	GHG 610 1953 R0108
Protective canopy Size 2A	for mounting plate size 2A		GHG 610 1955 R0103

Mounting plate for junction box 721 10

Type	Application	Fixing method	Order No.
Size 3	Wall mounting	screwless mounting	GHG 610 1953 R0107
Size 3	Trellis mounting	screwless mounting	GHG 610 1953 R0109
Size 3	Pipe mounting	screwless mounting	GHG 610 1953 R0108
Protective canopy Size 3	for mounting plate size 3		GHG 610 1955 R0104

Details for accessories see page 7.78

Dimension drawing



Dimensions in mm