

Exd



Shown with optional light source

Introduction

This Pan, Tilt and Zoom Camera Station has been designed specifically for hazardous areas requiring ATEX or IECEx certification. It is suitable for use across a wide range of applications; with the option of 304 Stainless Steel (electro-polished or painted) or 316L stainless steel.

The continuous 360° pan rotation and tilt from -90° to +90° gives an unrestricted view of the surrounding area. The optional light source further enhances the imaging in either the visible or infrared ranges.

With Pelco D/P protocol as standard, a variety of mounting brackets and wiper/washer tank options the MCS1W has the operational capability for most demanding CCTV applications.

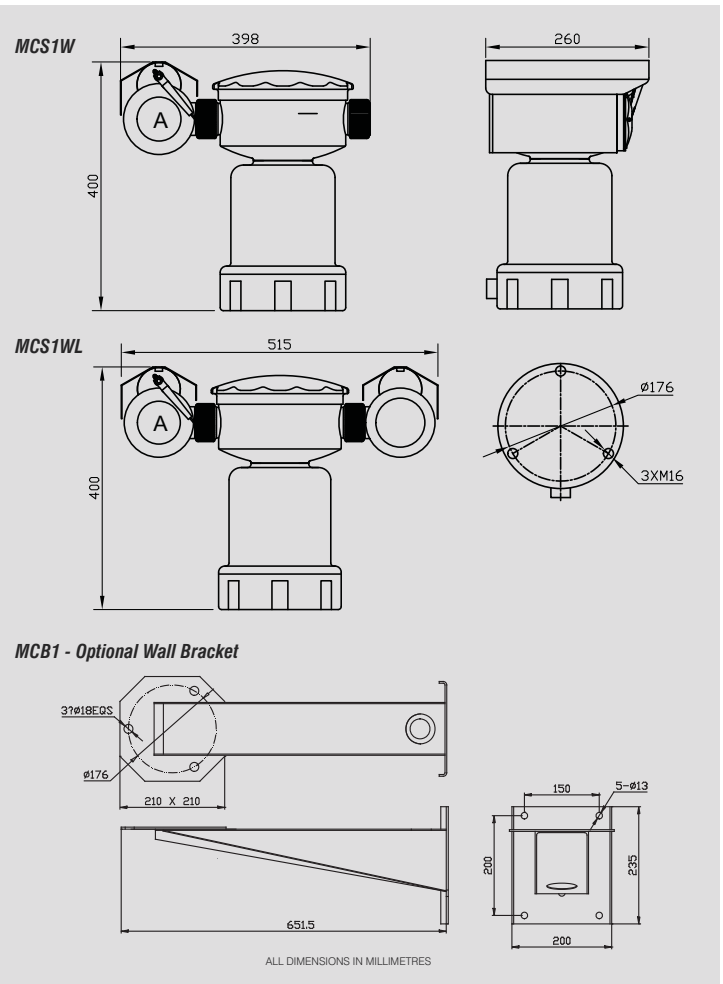
Features

- ATEX Certified.
- IECEx Certified.
- Ex II 2GD.
- Exd IIC T6 Gb.
- Ext IIIC T80°C Db.
- IP66 & IP68.
- -40°C to +60°C.
- 316L or 304 Stainless Steel.
- 360° continuous pan rotation.
- +90° to -90° tilt rotation.
- Multiple scanning mode.
- Advanced OSD menu.
- Multiple control protocols supported.
- 128 positional presets.
- Automatic Heater and Demister.

ATEX IECEx

Specification

Certification:	ATEX Cert No. Baseefa 13ATEX0083. IECEX Cert No. IECEX BAS 13.0105. Ex II 2GD Exd IIC T6 Gb, Ext IIIC T80°C Db.
Material:	304 or 316L Stainless Steel.
Finish:	Electro-polished (316L and 304) or Painted to customer specification (304 only).
Voltage:	110Vac to 240Vac ($\pm 10\%$), 50/60Hz.
Current:	<1A.
Power:	100W.
Certified Temp:	-40°C to +60°C.
Weight:	30Kg (+2Kg with light source) (+7Kg with wall bracket)
Ship Weight:	32Kg (+3Kg with light source) (+7Kg with wall bracket)
Wall Bracket Load:	50Kg
Ingress Protection:	IP66 & IP68.
Humidity:	95%RH (+25°C).
Pan:	360° continuous.
Pan Speed:	0.1°/S to 40°/S.
Tilt:	+90° to -90°.
Tilt Speed:	0.1°/S to 40°/S.
Presets:	128.
Preset Accuracy:	$\leq 0.1^\circ$.
Protocol:	Pelco D/P
Communication:	RS-485
Communication Rate:	1200/2400/4800/9600 bps.
Cable Connection:	Power: 3-core. Control: 2-core (non shielded). Video Output: Coaxial cable.
Cable Tail Length:	2.5m as standard, other lengths on request.
Automatic Heater & Demister:	Activates at -5°C.



Typical Camera Options

Camera:	Sony.
Video Mode:	PAL, NTSC.
Video Output:	1.0 \pm 0.2Vp-p/ 75 Ω .
CCD:	1/4" Exview HAD.
Line/ Frame Scanning:	15.625KHz / 50Hz.
Zoom:	18x optical zoom with auto focus. F1.4 - 3.0, F = 4.1 - 73.8mm. 12x Digital Zoom.
Pixel Resolution:	752(H) x 582(V) PAL; 768(H) x 494(V) NTSC.
Horizontal resolution:	480TV Lines.
Minimal Focus:	0.29m (Wide) / 0.8m (Tele).
View Angle:	48° (Wide) / 2.8° (Tele).
S/N Ratio:	> 50dB.
Minimum Illumination:	0.7Lux (Colour) / 0.01Lux(B/W).

Illuminator Specification:	IR	Visible
View distance:	100m	80m
View angle:	8°	15°
Wavelength:	850nm	N/A
Colour Temperature:	N/A	6500K
Control:	Auto/Manual	

Standard Configurations:

Model	Certification	Material	Lens	Video Mode	Bracket	Finish
MCS1WNB316L18PWE	ATEX	316L Stainless Steel	18x Optical Zoom	PAL	Wall Bracket	Electro-Polished
MCS1WNB316L18NWE	ATEX	316L Stainless Steel	18x Optical Zoom	NTSC	Wall Bracket	Electro-Polished
MCS1WNB30418PWG	ATEX	304 Stainless Steel	18x Optical Zoom	PAL	Wall Bracket	Painted Grey
MCS1WNB30418NWG	ATEX	304 Stainless Steel	18x Optical Zoom	NTSC	Wall Bracket	Painted Grey
MCS1WNJ316L18PWE	IECEX	316L Stainless Steel	18x Optical Zoom	PAL	Wall Bracket	Electro-Polished
MCS1WNJ316L18NWE	IECEX	316L Stainless Steel	18x Optical Zoom	NTSC	Wall Bracket	Electro-Polished
MCS1WNJ30418PWG	IECEX	304 Stainless Steel	18x Optical Zoom	PAL	Wall Bracket	Painted Grey
MCS1WNJ30418NWG	IECEX	304 Stainless Steel	18x Optical Zoom	NTSC	Wall Bracket	Painted Grey

Ordering Requirements

The following code is designed to help in selection of the correct unit. Build up the reference number by inserting the code for each component into the appropriate box.

Model	Light Source	Certification	Material	Lens	Video Mode	Bracket	Finish
MCS1W							
Light Source	Code	Certification	Code	Material	Code	Lens	Code
None	N	ATEX	B	316L	316L	18x Optical Zoom	18
Infra Red	LR	IECEX	J	Stainless Steel	304	23x Optical Zoom	23
Visible	LV			304	304	26x Optical Zoom	26
				Stainless Steel		30x Optical Zoom	30
						35x Optical Zoom	35
						36x Optical Zoom	36
Video Mode	Code	Bracket	Code	Finish	Code		
PAL	P	None	N	Electro Polished	E		
NTSC	N	Wall	W	White	W†		
				Grey	G†		
				Special	S*†		

* Please Specify.
† 304SS only