

Exd, UL Hazardous & Ordinary Locations



Introduction

The PH1 double action pull handle call point has been designed for use in flammable atmospheres and harsh environmental conditions. The GRP enclosure is suitable for use offshore or onshore where light weight combined with a high level of corrosion resistance is required.

The large "Lift" and "Pull" GRP handles can be operated effortlessly whilst wearing industrial gloves and require double action to raise the alarm, preventing accidental activation.

Features

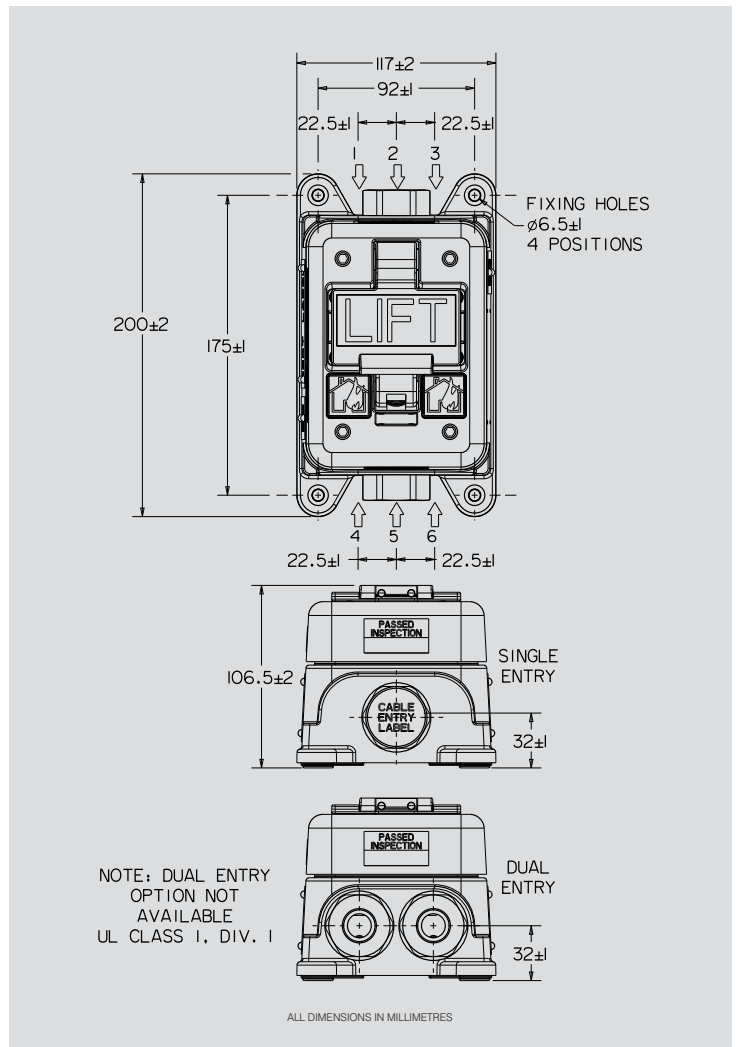
- Zone 1 and Zone 2 use.
- UL Listed for:
 - Hazardous Locations.
 - Class I, Division 1. Groups B, C & D.
 - Class I, Division 2. Groups A-D.
 - Zone 1.
 - Ordinary Locations: Fire alarm boxes.
- Ex d IIC T6 Gb.
- Ex tb IIIC T85°C Db.
- IECEx certified Gb, Db.
- ATEX certified Ex II 2 GD.
- NEMA 4X & 6. IP66 & IP67.
- Certified temperature: -55°C to +70°C*.
- Corrosion free GRP construction.*
- Optional in line, end of line resistors and diodes.
- Retained stainless steel cover screws.

*Model dependent.



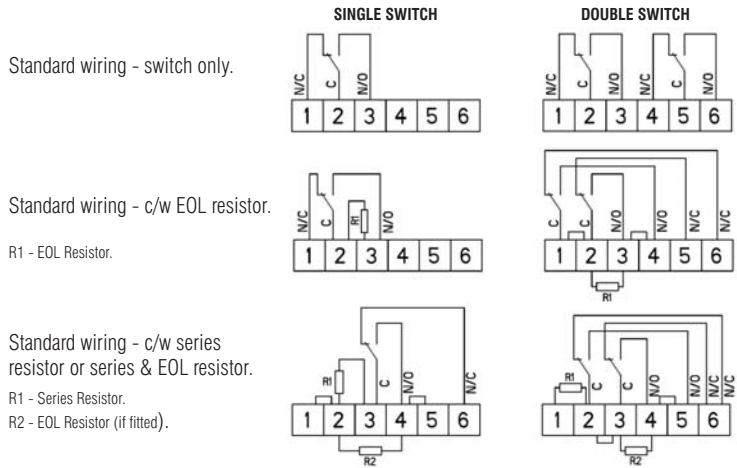
Certification and Specification

UL Haz Locs:	UL listed for USA and Canada. Listing no. E186629. Class I, Div. 1. Groups B, C & D. Class I, Div. 2. Groups A- D. Class I, Zone 1, AEx d IIC, Ex d IIC. Class II, Div.2, Groups F & G. Class III.
UL Ord Locs:	UL Listing no. S8117. Fire alarm boxes. UL for USA and Canada.
IECEX Ex d:	Cert. no. IECEX ITS.11.0021X. Certified to: IEC60079-0, IEC60079-1, IEC60079-31. Ex d IIC T6 Gb, Ex tb IIIC T85°C Db. IP66.
ATEX Ex d:	Cert. no. ITS11ATEX17308X. Certified to: EN60079-0, EN60079-1, EN60079-31. Ex II 2 GD, Ex d IIC T6 Gb, Ex tb IIIC T85°C Db. IP66.
Material:	Body/covers/handles:- GRP (glass reinforced polyester). UL Class I, Div. 1 Inner Cover: 316 (ANC4B) Stainless Steel. Fixings:- Stainless steel grade 316.
Finish:	Cover:- natural red, Body:- natural black. Handles:- natural white. Cover may be painted to customer's requirements.
Voltage:	0-50Vdc, 0-254Vac.
Switch Rating:	1 or 2 c/o switches, 254V, 3A max.
Weight:	UL Class I, Div 2, ATEX, IECEX & UW: Gross weight 3.2Kg. Net weight 2.6Kg. UL Class I, Div. 1: Gross weight 4.4 Kg. Net weight 3.8Kg.
Certified Temp:	ATEX & IECEX: -55°C to +70°C. UL Class I, Divs. 1 & 2, UW: -50°C to +70°C
Ingress Protection:	NEMA 4X & 6. IP66 & IP67.
Entries:	UL Class I, Div. 1 - Max 1 per face. Up to 2 x 1/2" NPT or 3/4" NPT. Positions 2 & 5 only. UL Class I, Div. 2, UW: Up to 2 x 1/2" or 3/4" NPT. 3/4" NPT, Max. 1 per face & positions 2 & 5 only. ATEX, IECEX - Max 2 per face. Up to 2 x M20 or M25, up to 2 x 1/2" or 3/4" NPT. Please note that certified blanking plugs cannot be fitted to this product.
Terminals:	6 x 2.5mm ² as standard. Contact MEDC for options.
Earth Continuity:	Earth continuity is provided by internal plate.
Duty Labels:	'Burning house' label fitted as standard on red units. Red blank duty label fitted as standard on all other colour units, unless text is supplied by customer. Tag Label: worded to customers requirements.
Addr. module:	Consult MEDC for options.
Resistors:	Various configurations available, 470 Ohms minimum.
Diodes:	Various configurations available.



Ordering Requirements

The following code is designed to help in selection of the correct unit. Build up the reference number by inserting the code for each component into the appropriate box.



Model	Certification	Entries	Switches	Features	Finish																																																		
PH1																																																							
	<table border="1"> <thead> <tr> <th>Certification</th> <th>Code</th> </tr> </thead> <tbody> <tr> <td>UL Class I, Div. 1</td> <td>UL1</td> </tr> <tr> <td>UL Class I, Div. 2</td> <td>UL2</td> </tr> <tr> <td>UL Ord. Loc.</td> <td>UW</td> </tr> <tr> <td>ATEX</td> <td>B</td> </tr> <tr> <td>IECEX</td> <td>J</td> </tr> <tr> <td>Weatherproof</td> <td>W</td> </tr> </tbody> </table>	Certification	Code	UL Class I, Div. 1	UL1	UL Class I, Div. 2	UL2	UL Ord. Loc.	UW	ATEX	B	IECEX	J	Weatherproof	W	<table border="1"> <thead> <tr> <th>Entries</th> <th>Code</th> </tr> </thead> <tbody> <tr> <td>M20</td> <td>*B</td> </tr> <tr> <td>M25</td> <td>*C</td> </tr> <tr> <td>1/2" NPT</td> <td>*†M</td> </tr> <tr> <td>3/4" NPT</td> <td>*†N</td> </tr> </tbody> </table>	Entries	Code	M20	*B	M25	*C	1/2" NPT	*†M	3/4" NPT	*†N	<table border="1"> <thead> <tr> <th>Switches</th> <th>Code</th> </tr> </thead> <tbody> <tr> <td>Single changeover</td> <td>S</td> </tr> <tr> <td>Double changeover</td> <td>D</td> </tr> </tbody> </table>	Switches	Code	Single changeover	S	Double changeover	D	<table border="1"> <thead> <tr> <th>Features</th> <th>Code</th> </tr> </thead> <tbody> <tr> <td>None</td> <td>N</td> </tr> <tr> <td>Series resistor</td> <td>G*</td> </tr> <tr> <td>EOL resistor</td> <td>H*</td> </tr> <tr> <td>Diode</td> <td>E*</td> </tr> <tr> <td>Tag label</td> <td>T*</td> </tr> <tr> <td>Custom duty label</td> <td>D*†</td> </tr> </tbody> </table>	Features	Code	None	N	Series resistor	G*	EOL resistor	H*	Diode	E*	Tag label	T*	Custom duty label	D*†	<table border="1"> <thead> <tr> <th>Finish</th> <th>Code</th> </tr> </thead> <tbody> <tr> <td>Natural Red</td> <td>R</td> </tr> <tr> <td>Special</td> <td>S*</td> </tr> </tbody> </table> <p>* Please specify.</p>	Finish	Code	Natural Red	R	Special	S*
Certification	Code																																																						
UL Class I, Div. 1	UL1																																																						
UL Class I, Div. 2	UL2																																																						
UL Ord. Loc.	UW																																																						
ATEX	B																																																						
IECEX	J																																																						
Weatherproof	W																																																						
Entries	Code																																																						
M20	*B																																																						
M25	*C																																																						
1/2" NPT	*†M																																																						
3/4" NPT	*†N																																																						
Switches	Code																																																						
Single changeover	S																																																						
Double changeover	D																																																						
Features	Code																																																						
None	N																																																						
Series resistor	G*																																																						
EOL resistor	H*																																																						
Diode	E*																																																						
Tag label	T*																																																						
Custom duty label	D*†																																																						
Finish	Code																																																						
Natural Red	R																																																						
Special	S*																																																						

NOTE: the units can be internally wired to suit customers specifications. Please discuss your requirements with us.

* Prefix entry size with entry position (see diagram above).
E.g. 4B6B. Maximum 2 Entries.
† UL Class 1. Div. 1 - Max 1 per face. Up to 2x 1/2" NPT or 3/4" NPT.
Positions 2 & 5 only.
UW: Up to 2 x 1/2" or 3/4" NPT.
3/4" NPT, Max. 1 per face & positions 2 & 5 only.

* Please specify.
† Only select if non standard option is required.
Please note that certified blanking plugs cannot be fitted to this product.