

# Serie **Smart**

## *Enclosures*



Pag. 18 ..... **FQ**  
**FQL**

## *Enclosures with Swing out Panel*



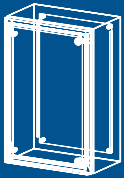
Pag. 20 ..... **FQD**

## *Enclosures for Modular Equipment*



Pag. 22 ..... **FQN**

Unmatched protection for housing electrical and electronic components in both indoor and outdoor settings where corrosion-resistance is needed, with constant exposure to water, contaminants and other corrosive elements.



# Enclosures



UL 508 A - CSA 22.2  
TYPE NEMA  
1, 12, 4, 4x



IK 10  
IP 66



FQ  
FQL

Serie Smart



## Application

Unmatched protection for housing electrical and electronic components in both indoor and outdoor settings where corrosion-resistance is needed, with constant exposure to water, contaminants and other corrosive elements.

## Construction

AISI 304 Scotch-Brite 240 stainless steel, satin finish  
Built from one stainless steel sheet, 1,5mm gauge.  
M6 fastening holes for direct mounting or wall mounting.  
M8 fasteners for back plate mounting.  
Four M6 fasteners for earthing.  
One-piece foam-in-place polyurethane gasket, mechanical placement, to provide for IP66 protection for long term use 4mm clear polycarbonate window mounted flush with door surface, with EPDM gasketing for FQL models.  
Stainless steel hidden door hinges, 120° opening.  
Senzimir back plate, 2.0mm gauge.  
Two overlapping doors, right on left, for sizes over 1000mm in width.

## Optionals

Product can be customized to client's specific needs: holes, cutouts and different sizes as per your drawings with AISI 316 and specialty stainless steel, stainless steel back panel, double-layer glass window, 3+3mm, glued to door.

## Accessories

- Panel Protection Window
- Data Pocket
- Cooling Systems
- Locking Systems
- Cable flange hitch
- Rain shield
- Wallmounting kit
- Pedestal
- Gas Pistons

## Accessories



Pedestal

pag...71



Data Pocket

pag...76



Rain shield

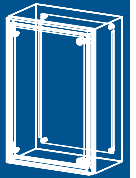
pag...71



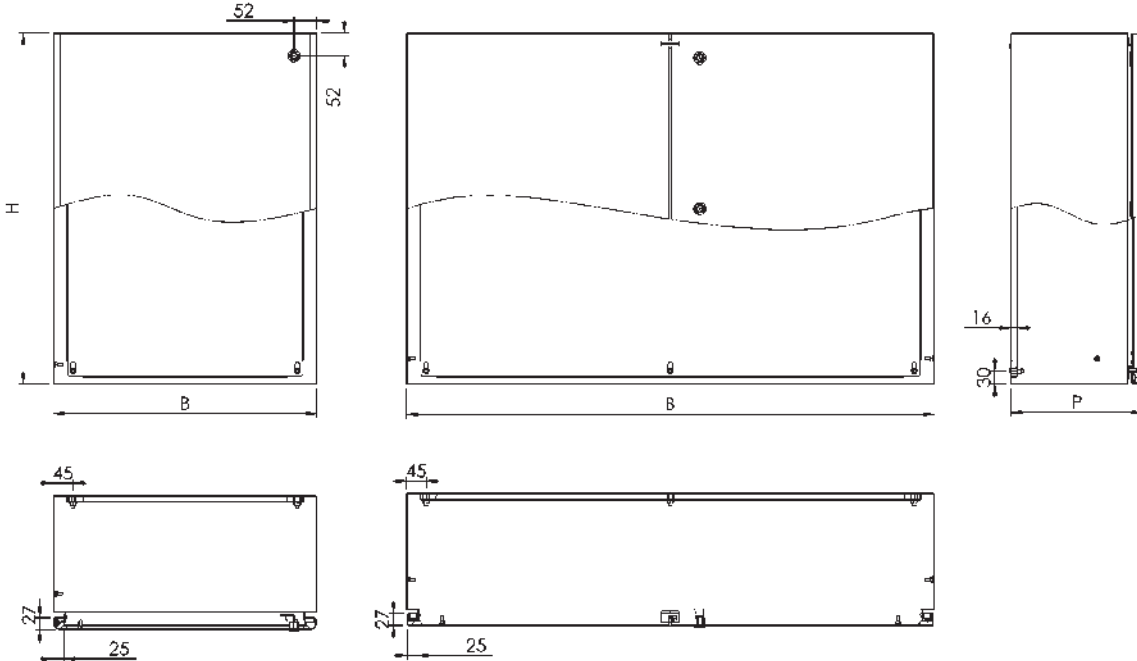
IK 10  
IP 66

UL 508 A - CSA 22,2  
TYPE NEMA  
1, 12, 4, 4x

# Enclosures



FQ  
FQL



**BACK PANEL**

B - 62mm  
H - 57mm

**DEPTH SPACE**

P - 20mm

**SOLID DOOR  
AVAILABLE AREA**

B - 77mm  
H - 77mm

**WINDOW AREA**

B - 104mm  
H - 104mm

Product code	Dimensions		
	B mm	H mm	P mm
FQ 20 30 15	200	300	150
FQ 30 30 21	300	300	210
FQ 30 40 21	300	400	210
FQ 30 45 21	300	450	210
FQ 35 40 21	350	400	210
FQ 35 45 21	350	450	210
FQ 40 50 25	400	500	250
FQ 40 60 25	400	600	250
FQ 40 60 30	400	600	300
FQ 45 45 21	450	450	210
FQ 45 60 25	450	600	250
FQ 45 60 30	450	600	300
FQ 50 50 25	500	500	250
FQ 50 65 25	500	650	250
FQ 50 70 25	500	700	250
FQ 60 45 25	600	450	250
FQ 60 60 25	600	600	250
FQ 60 60 30	600	600	300
FQ 60 75 25	600	750	250
FQ 60 75 30	600	750	300

Product code	Dimensions		
	B mm	H mm	P mm
FQ 60 80 25	600	800	250
FQ 60 80 30	600	800	300
FQ 60 80 40	600	800	400
FQ 60 90 25	600	900	250
FQ 60 90 30	600	900	300
FQ 60 120 30	600	1200	300
FQ 60 140 30	600	1400	300
FQ 60 160 40	600	1600	400
FQ 75 60 25	750	600	250
FQ 75 100 30	750	1000	300
FQ 75 120 30	750	1200	300
FQ 80 100 30	800	1000	300
FQ 80 120 30	800	1200	300
FQ 80 120 40	800	1200	400
FQ 80 140 30	800	1400	300
FQ 80 160 40	800	1600	400
* FQ 100 60 30	1000	600	300
* FQ 100 80 30	1000	800	300
* FQ 120 60 30	1200	600	300
* FQ 120 80 30	1200	800	300

Specify model type when ordering:  
FQ solid door enclosures - FQL polycarbonate window-door enclosure

\* Two overlapping doors without centerpost; right block left

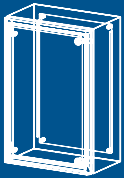
+39 0434.420180  
+39 0434.420110

sales@flextec.it  
www.flextec.it

Serie Smart

FLEXTEC  
Enclosures Technology





# Swing-out Panel Enclosures



UL 508 A - CSA 22.2  
TYPE NEMA  
1, 12, 4, 4x



IK 10  
IP 66



FQD

Serie Smart



## Application

Unmatched protection for housing electrical and electronic components in both indoor and outdoor settings where corrosion-resistance is needed, with constant exposure to water, contaminants and other corrosive elements.

## Construction

AISI 304 Scotch-Brite 240 stainless steel, satin finish.  
Built from one stainless steel sheet, 1,5mm gauge.  
M6 fastening holes for direct mounting or wall mounting.  
M8 fasteners for back plate mounting.  
Four M6 fasteners for earthing.  
One-piece foam-in-place polyurethane gasket, provides IP66 protection for long term use.  
4mm clear polycarbonate window.  
Stainless steel hidden door hinges, 120° opening.  
Senzimir back plate, 2.0mm gauge.  
Two overlapping doors, right on left, for sizes over 1000mm in width.  
Stainless steel swing-out panel hinged on internal frame mounted on structure with welded fasteners; 90° opening.

## Optionals

Product can be customized to client's specifics needs: holes, cutouts and different sizes as per your drawings with AISI 316 and specialty stainless steel, stainless steel back panel, double-layer glass window, 3+3mm, glued to door.

## Accessories

Panel Protection Window  
Data Pocket  
Cooling Systems  
Locking Systems  
Cable flange hitch  
Rain shield  
Wallmounting kit  
Pedestal  
Gas Pistons

## Accessories



Locking System

pag...55



Cables flange hitch

pag...71



Gas Pistons

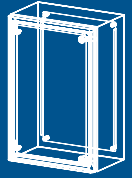
pag...70



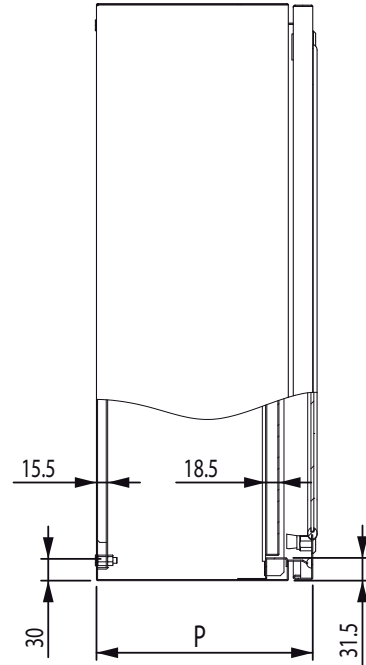
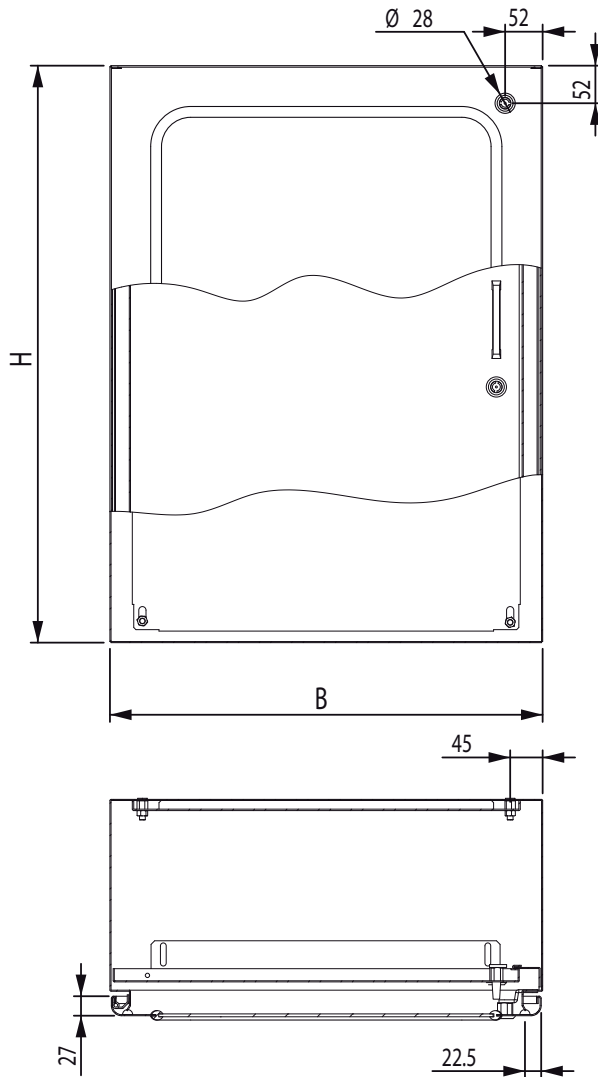
IK 10  
IP 66

UL 508 A - CSA 22,2  
TYPE NEMA  
1, 12, 4, 4x

# Swing-out Panel Enclosures



FQD



**BACK PANEL**  
B - 62mm  
H - 57mm

**SWIG-OUT PANEL SIZE**  
B - 37mm  
H - 70mm

**DISTANCE BETWEEN DOOR AND SWING-OUT PANEL**  
43,5mm - 75mm

**DEPTH SPACE**  
P-65mm - 97mm

**WINDOW AREA**  
B - 104mm  
H - 104mm

**SWING-OUT PANEL AVAILABLE AREA**  
B - 85mm  
H - 85mm

Product code	Dimensions		
	B mm	H mm	P mm
FQD 30 30 21	300	300	210
FQD 30 40 21	300	400	210
FQD 30 45 21	300	450	210
FQD 35 40 21	350	400	210
FQD 35 45 21	350	450	210
FQD 40 50 25	400	500	250
FQD 40 60 25	400	600	250
FQD 40 60 30	400	600	300
FQD 45 45 21	450	450	210
FQD 45 60 25	450	600	250
FQD 45 60 30	450	600	300
FQD 50 50 25	500	500	250
FQD 50 65 25	500	650	250
FQD 50 70 25	500	700	250
FQD 60 45 25	600	450	250
FQD 60 60 25	600	600	250
FQD 60 60 30	600	600	300

Product code	Dimensions		
	B mm	H mm	P mm
FQD 60 75 25	600	750	250
FQD 60 75 30	600	750	300
FQD 60 80 25	600	800	250
FQD 60 80 30	600	800	300
FQD 60 80 40	600	800	400
FQD 60 90 25	600	900	250
FQD 60 90 30	600	900	300
FQD 60 120 30	600	1200	300
FQD 60 140 30	600	1400	300
FQD 60 160 40	600	1600	400
FQD 75 60 25	750	600	250
FQD 75 100 30	750	1000	300
FQD 80 100 30	800	1000	300
FQD 80 120 30	800	1200	300
FQD 80 120 40	800	1200	400
FQD 80 140 30	800	1400	300
FQD 80 160 40	800	1600	400

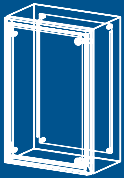
+39 0434.420180  
+39 0434.420110

sales@flextec.it  
www.flextec.it

Serie Smart

FLEXTEC  
Enclosures Technology





# Enclosures for Modular Equipment



UL 508 A - CSA 22.2  
TYPE NEMA  
1, 12, 4, 4x



IK 10  
IP 66



FQN

Serie Smart



## Application

Unmatched protection for housing electrical and electronic components in both indoor and outdoor settings where corrosion-resistance is needed, with constant exposure to water, contaminants and other corrosive elements.

## Construction

AISI 304 Scotch-Brite 240 stainless steel, satin finish.  
Built from one stainless steel sheet, 1,5mm gauge.  
M6 fastening holes for direct mounting or wall mounting.  
M8 fasteners for back plate mounting.  
4 M6 fasteners for earthing.  
One-piece foam-in-place polyurethane gasket, provides IP66 protection for long term use.  
4mm clear polycarbonate window.  
Stainless steel hidden door hinges, 120° opening.  
Senzimir back plate, 2.0mm gauge.  
Two overlapping doors, right on left, for sizes over 1000mm in width.  
Frame for mounting of Open panels (solid panels on request)  
150mm height, DIN rail brackets for modular equipment mounting.

## Optionals

Product can be customized to client's specific needs: holes, cutouts and different sizes as per your drawings, with AISI 316 and specialty stainless steels, stainless steel back panel, double-layer glass window, 3+3mm, glued to door, punched/solid panels as requested.

## Accessories

- Panel Protection Window
- Data Pocket
- Cooling Systems
- Locking Systems
- Cables flange hitch
- Rain shield
- Wallmounting Brackets
- Pedestal
- Modular Equipment Mounting Kit
- DIN Rail Brackets
- Gas Pistons

## Accessories



Cable Entry Plate pag...71



Wallmounting Kit pag...70



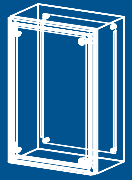
Pedestal pag...71



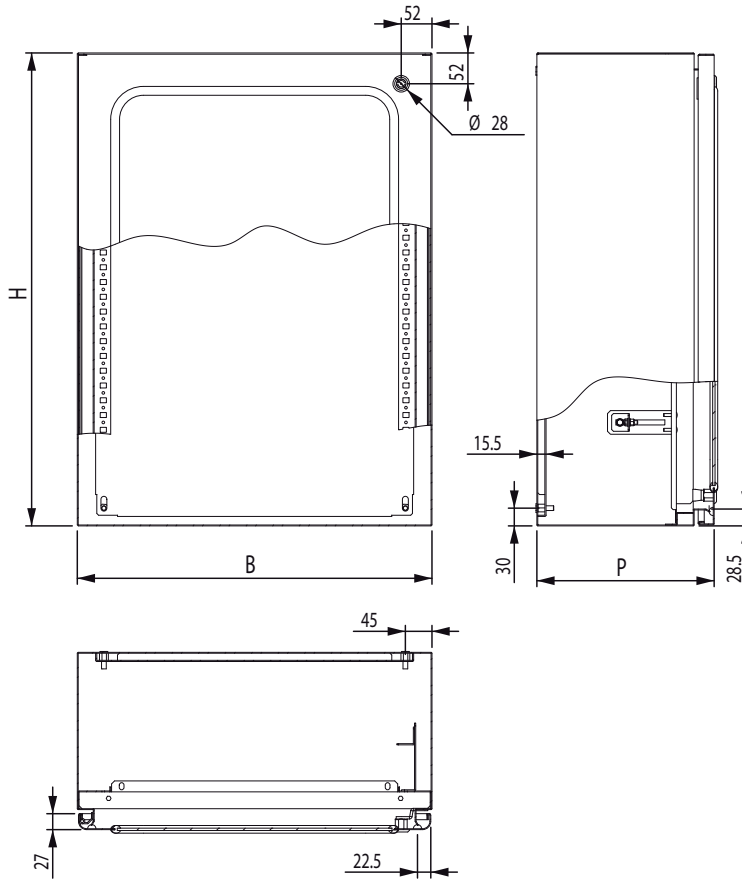
IK 10  
IP 66

UL 508 A - CSA 22,2  
TYPE NEMA  
1, 12, 4, 4x

# Enclosures for Modular Equipment



**FQN**



**BACK PANEL**  
B - 62mm  
H - 57mm

**DEPTH SPACE**  
P - 80mm

**SOLID DOOR AVAILABLE AREA**  
B - 77mm  
H - 77mm

**WINDOW AREA**  
B - 104mm  
H - 104mm

Product code	Dimensions			Panels	Switches
	B mm	H mm	P mm	Nr.	Nr.
FQN 35 45 21	350	450	210	* 2+1	25
FQN 40 50 25	400	500	250	3	45
FQN 50 65 25	500	650	250	4	73
FQN 60 75 25	600	750	250	* 4+1	130
FQN 60 75 30	600	750	300	* 4+1	130
FQN 60 90 30	600	900	300	* 5+1	156
FQN 80 120 30	800	1200	300	* 7+1	245

\* +1 = H100 mm solid panel for switches

## Panels for FQN

Product code	Description	Dimensions		Switches
		B mm	H mm	Nr.
KMA35150	Open panel B350 x H150	350	150	12
KMA40150	Open panel B400 x H150	400	150	15
KMA50150	Open panel B500 x H150	500	150	18
KMA60150	Open panel B600 x H150	600	150	26
KMA80150	Open panel B800 x H150	800	150	40
KMC3100	Filler solid panel B350 x H100	350	100	-
KMC4100	Filler solid panel B400 x H100	400	100	-
KMC8100	Filler solid panel B800 x H100	800	100	-
KM00250	2 DIN rail brackets	-	-	-

+39 0434.420180  
+39 0434.420110

sales@flextec.it  
www.flextec.it

Serie **Smart**

**FLEXTEC**  
Enclosures Technology