

Enclosures & Cable Glands



D.2 Stainless Sheet Steel Enclosures

- D.2 Klippon TB Multi Hinge Series
- D.3 Klippon STB Series



D.4 Aluminium Enclosures

- D.4 Klippon K Series



D.6 Polyester Enclosures

- D.6 Klippon POK Series



D.9 Pratley Cable Boxes

- D.9 Klik-Lok IP68/66 Cable Box
- D.9 Three Way Bottom Entry Cable Box
- D.10 EZEE-FIT Cable Boxes IP68
- D.11 EZEE-JB Special Armoured Boxes
- D.12 Accessories for EZEE-FIT Cable Boxes



D.14 Conduit Nylofix

- D.14 AGT Conduit
- D.14 MIR-M Straight Metric Thread Connector
- D.15 NEC-M 90° Elbow Metric Thread Connector
- D.15 SDN Support
- D.16 M Polyamide Metric Thread Lock Nuts
- D.16 PLJ Sealing Washers
- D.16 O-Rings for Conduit ORJ

Klippon TB Series - Stainless Steel Enclosures

Klippon® TB MH - Multi Hinge

Stainless steel enclosures for use in industrial and in explosive hazard areas

The Klippon® TB enclosure series features excellent performance characteristics, even under the most difficult environmental conditions, and also comply with the stricter requirements of explosive hazard areas found in the process or power generation industries. The new Klippon® TB MH enclosure series offers further improvements to a product line that is already successfully leading the market.

Weidmüller can manufacture and supply this enclosure to match customer specifications and fitted with all necessary terminals and cable glands.



Overview of enclosures

Ordering data

Description	Length x width x depth (mm)	1 Gland Plate (below)	2 Gland Plates (above + below)	3 Gland Plates (below + sides)	4 Gland Plates (all sides)	Reference product
KTB MH 221513 S4E_*	229 x 152 x 133	1194560000	1194570000	1194580000	1194590000	Klippon® TB10
KTB MH 262615 S4E_*	260 x 260 x 150	1194610000	1194620000	1194630000	1194640000	Klippon® TB10A
KTB MH 262620 S4E_*	260 x 260 x 200	1194660000	1194670000	1194680000	1194690000	Klippon® TB10A
KTB MH 303015 S4E_*	306 x 306 x 150	1194710000	1194720000	1194730000	1194740000	Klippon® TB11
KTB MH 303020 S4E_*	306 x 306 x 200	1194760000	1194770000	1194780000	1194790000	Klippon® TB11
KTB MH 352615 S4E_*	350 x 260 x 150	1194810000	1194820000	1194830000	1194840000	Klippon® TB11A
KTB MH 352620 S4E_*	350 x 260 x 200	1194860000	1194870000	1194880000	1194890000	Klippon® TB11A
KTB MH 403015 S4E_*	400 x 300 x 150	1194910000	1194920000	1194930000	1194940000	-
KTB MH 403020 S4E_*	400 x 300 x 200	1194960000	1194970000	1194980000	1194990000	-
KTB MH 453815 S4E_*	458 x 382 x 150	1195010000	1195020000	1195030000	1195040000	Klippon® TB12
KTB MH 453820 S4E_*	458 x 382 x 200	1195060000	1195070000	1195080000	1195090000	Klippon® TB12
KTB MH 484815 S4E_*	480 x 480 x 150	1195110000	1195120000	1195130000	1195140000	Klippon® TB12A
KTB MH 484820 S4E_*	480 x 480 x 200	1195160000	1195170000	1195180000	1195190000	Klippon® TB12A
KTB MH 553515 S4E_*	550 x 350 x 150	1195210000	1195220000	1195230000	1195240000	Klippon® TB12B
KTB MH 553520 S4E_*	550 x 350 x 200	1195260000	1195270000	1195280000	1195290000	Klippon® TB12B
KTB MH 624515 S4E_*	620 x 450 x 150	1195310000	1195320000	1195330000	1195340000	Klippon® TB12D
KTB MH 624520 S4E_*	620 x 450 x 200	1195360000	1195370000	1195380000	1195390000	Klippon® TB12D
KTB MH 765015 S4E_*	762 x 508 x 150	1195410000	1195420000	1195430000	1195440000	Klippon® TB13
KTB MH 765020 S4E_*	762 x 508 x 200	1195460000	1195470000	1195480000	1195490000	Klippon® TB13
KTB MH 916115 S4E_*	914 x 610 x 150	1195510000	1195520000	1195530000	1195540000	Klippon® TB14
KTB MH 916120 S4E_*	914 x 610 x 200	1195560000	1195570000	1195580000	1195590000	Klippon® TB14
KTB MH 987420 S4E_*	980 x 740 x 200	1195610000	1195620000	1195630000	1195640000	-

Note * Placeholder for the number of gland plates (1, 2, 3, 4). Klippon® TB MH enclosures are available without gland plates on request.

Klippon STB Series - Stainless Steel Enclosures

Small stainless steel and steel sheet enclosures series

Ideally suited for the energy and process industry and transportation, the Klippon® STB series is the perfect complement to our existing Klippon® enclosure product line. Enclosures of this series comply with international standards such as EN 62208 and EN 60079-0/7 (ATEX).

Some of the many advantages of these cases are:

- Available in stainless steel or in steel sheet
- Higher temperature resistant seals (extended temperature range of -60 °C to +100 °C /120 °C, on request)
- Flexible options when mounting the internal rail
- The gasket is protected against compression; this ensures that a permanent and secure seal is maintained.
- Earth studs in the lid and in the enclosure base
- Lasered welding seams offer improved quality
- Delivered with welded mounting feet to ensure a sturdy enclosure installation

Weidmüller can manufacture and supply this enclosure to match customer specifications and fitted with all necessary terminals and cable glands.



Overview of enclosures

Ordering data

Description	Dimensions	Mirror-polish	Electropolished	Powder-coated (RAL7032)
Klippon® STB 1	120 x 120 x 80	1002690000	1058810000	1024970000
Klippon® STB 1.1	150 x 120 x 80	1002750000	1058820000	1024980000
Klippon® STB 2	150 x 150 x 90	1002740000	1058830000	1024990000
Klippon® STB 2.1	190 x 150 x 90	1002730000	1058840000	1025010000
Klippon® STB 3	190 x 190 x 100	1002720000	1058850000	1025020000
Klippon® STB 4	250 x 250 x 120	1002710000	1058860000	1025030000
Klippon® STB 5	160 x 380 x 120	1002700000	1058880000	1025040000
Klippon® STB 6	250 x 400 x 130	1002760000	1058870000	1025050000

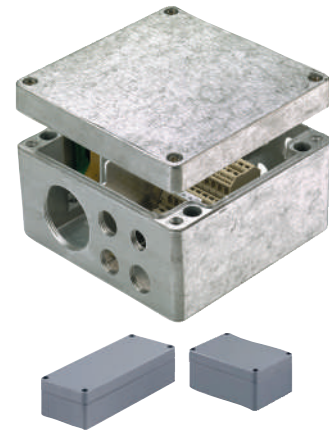
Aluminium Enclosures

The K-Series of enclosures offers excellent resistance in industrial and transport environments. They are ideal for a wide series of applications, including configuration with terminals, switches, power packs, push buttons, control lamps or electronic components.

Features Include:

- 19 sizes in 2 versions
- Lid with stainless steel screws
- Internal earthing studs
- Mounting holes located outside of the sealed area
- Threaded holes for mounting rails and mounting plates

Our assembly service can supply these enclosures pre-assembled with terminals and cable glands according to customer requirements.

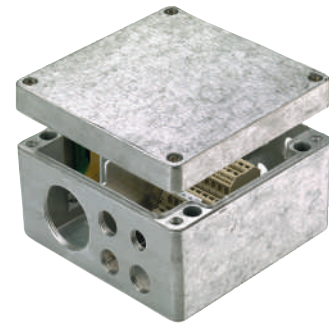


Technical Data	Type	Standard
Material		High Quality Aluminium alloy (Al-Si-12)
Surface		Smooth, Untreated Painted: Silver-grey textured (Similar to RAL 7001)
Gasket		Chloroprene CR (Silicone Optional)
Lid Fixing	K0, K01, K02, K1, K11, K2, K21, K3, K31, K32, K4	Captive Stainless Steel Slotted head / Crosshead M4 Screws
	K5, K6, K7	Captive Stainless Steel Slotted head / Crosshead M5 Screws
	K41, K51, K61, K7	Captive Stainless Steel Slotted head / Crosshead M6 Screws
	K71	Captive Stainless Steel Slotted head / Crosshead M7 Screws
Earthing (Internal)	K0, K01, K02, K1, K11, K2, K21, K3, K31, K32	Earthing Screw M4
	K4, K41, K5, K51, K7	Earthing Screw M5
Enclosure Mounting	K0, K01, K02, K1, K11, K2, K21, K3, K31, K32	Holes 4mm
	K4	Holes 5mm
	K41, K5, K51, K52, K61, K71	Holes 6mm
	K5, K6, K7	Holes 7mm
Equipment Mounting	K0, K01, K3	2 Threaded Holes M3
	K1, K11, K2, K21, K31, K32	2 Threaded Holes M4
	K4, K5, K51, K6, K7, K71, K8	2 Threaded Holes M5
	K41, K52, K72, K81	2 Threaded Holes M6
Protection Class		IP 66 and IP 67
Impact Resistance		7 J
Temperature Range		-40oC ... +80oC

Aluminium Enclosures

ORDERING DATA FOR KLIPPON K-SERIES

*ATEX Ex available on request



Type		Length (mm)	Width (mm)	Depth (mm)	Inner Height (mm)	Weight (G)	Order No.
K0	Unpainted, Standard	45	50	30	25	65	0573200000
K01	Unpainted, Standard	64	58	34	28	120	1565240000
K02	Unpainted, Standard	64	98	34	28.5	200	1565250000
K1	Unpainted, Standard	70	70	45	25	220	0342000000
K11	Unpainted, Standard	80	75	57	51	280	0573300000
K2	Unpainted, Standard	70	100	45	25	280	0342100000
K21	Unpainted, Standard	80	125	57	51	400	0573400000
K3	Unpainted, Standard	70	165	45	25	400	0342200000
K31	Unpainted, Standard	80	175	57	51	520	0573500000
K32	Unpainted, Standard	80	250	55	48.5	710	1565260000
K4	Unpainted, Standard	82	130	72	66	620	0342300000
K41	Unpainted, Standard	120	122	81	73	840	1565270000
K5	Unpainted, Standard	130	170	90	81	1540	0342400000
K51	Unpainted, Standard	120	220	81	72	1280	1565280000
K52	Unpainted, Standard	160	160	91	82	1480	1565290000
K6	Unpainted, Standard	160	200	100	93	2000	0342500000
K61	Unpainted, Standard	160	260	91	82	2060	0573600000
K7	Unpainted, Standard	160	350	100	93	2870	0342600000
K71	Unpainted, Standard	230	280	111	102	2925	0573700000

Polyester Enclosures

The POK-Series are a high quality glassfibre reinforced polyester enclosure which is an economical solution for electrical connections. The enclosures are ideal wherever corrosion resistance, impact resistance and a high IP protection class is required.

Features Include:

- 17 sizes
- Lid with stainless steel screws
- Mounting holes located outside of the sealed area
- Threaded holes for mounting rails and mounting plates

Our assembly service can supply these enclosures pre-assembled with terminals and cable glands according to customer requirements.



Technical Data	Standard	Atex
Material	Glassfibre reinforced polyester acc. to DIN 16913	Glassfibre reinforced polyester acc. to DIN 16913 with added graphite
Surface	Grey, similar to RAL 7001	Black, similar to RAL 9011
Gasket	Chloroprene + Polyurethane	Silicone (VMQ)
Lid Screws	Stainless Steel 1.4305	Stainless Steel 1.4305
Protection Class	IP 66	IP 66
Impact Resistance	7 J	7 J
Temperature Range	-40°C ... +90°C	-55°C ... +100°C
Flammability	UL 94 V0	UL 94 V0
Toxicity	Free of Halogen and Cadmium	Free of Halogen

Polyester Enclosures

ORDERING DATA FOR KLIPPON K-SERIES



Type	Colour	Length (mm)	Width (mm)	Depth (mm)	Inner Height (mm)	Weight (G)	Order No.
Klippon POK 1, Standard	Grey	75	80	55	46	230	1277200000
Klippon POK 1 Ex, ATEX	Black	75	80	55	46	230	9510210000
Klippon POK 2, Standard	Grey	75	110	55	46	295	1277300000
Klippon POK 2 Ex, ATEX	Black	75	110	55	46	295	9510220000
Klippon POK 3, Standard	Grey	75	160	55	46	405	1277400000
Klippon POK 3 Ex, ATEX	Black	75	160	55	46	405	9510320000
Klippon POK 31, Standard	Grey	75	190	55	46	450	1565400000
Klippon POK 31 Ex, ATEX	Black	75	190	55	46	450	9510330000
Klippon POK 32, Standard	Grey	75	230	55	46	575	9510510000
Klippon POK 32 Ex, ATEX	Black	75	230	55	46	575	9510340000
Klippon POK 4, Standard	Grey	120	122	91	80	750	1277500000
Klippon POK 4 Ex, ATEX	Black	120	122	91	80	750	9510230000
Klippon POK 5, Standard	Grey	120	220	91	80	1060	1277600000
Klippon POK 5 Ex, ATEX	Black	120	220	91	80	1060	9510240000
Klippon POK 51, Standard	Grey	160	160	90	79	1290	1565410000
Klippon POK 51 Ex, ATEX	Black	160	160	90	79	1290	9510250000
Klippon POK 6, Standard	Grey	160	260	90	79	1710	1277700000
Klippon POK 6 Ex, ATEX	Black	160	260	90	79	1710	9510260000
Klippon POK 7, Standard	Grey	160	360	90	79	2150	1277800000
Klippon POK 7 Ex, ATEX	Black	160	360	90	79	2150	9510270000
Klippon POK 71, Standard	Grey	160	560	90	79	3185	9510520000
Klippon POK 71 Ex, ATEX	Black	160	560	90	79	3185	9510350000
Klippon POK 8, Standard	Grey	250	255	120	109	2650	1565420000
Klippon POK 8 Ex, ATEX	Black	250	255	120	109	2650	9510280000
Klippon POK 9, Standard	Grey	250	400	120	109	3650	1565430000
Klippon POK 9 Ex, ATEX	Black	250	400	120	109	3650	9510290000
Klippon POK 91, Standard	Grey	250	600	120	109	5235	9510470000
Klippon POK 91 Ex, ATEX	Black	250	600	120	109	5235	9510300000
Klippon POK 10, Standard	Grey	405	400	120	109	5580	1565440000
Klippon POK 10 Ex, ATEX	Black	405	400	120	109	5580	9510310000
Klippon POK 11, Standard	Grey	250	255	160	149	3275	9510530000
Klippon POK 11 Ex, ATEX	Black	250	255	160	149	3275	9510360000
Klippon POK 12, Standard	Grey	250	400	160	149	4800	9510540000
Klippon POK 12 Ex, ATEX	Black	250	400	160	149	4800	9510370000



Weidmüller 

Customer Application Solutions Minimising costs, raising efficiency

With our customer specific solutions you can exploit new potentials leading to a reduction of costs and an increase in efficiency. At the same time you simplify your quality management because high-quality production from a single source makes you independent of arrangements with various component suppliers. The final product, which is composed of a variety of single components, offers decisive advantages.

- Simplification of ordering systems and stock-keeping
- Professional assembly
- IECEX certified enclosures

www.weidmuller.com.au

Klik-Lok IP68/66 Cable Box**Features Include:**

- SIMPLY click lid in place and twist to lock
- TOUGH & NON-CORROSIVE nylon polyamide material
- HIGH IP68/66 sealing for water and dust protection
- Comes standard as a 2 WAY THROUGH BOX (easily modify to 3,4 or 5 way)
- ECONOMICAL solution for use with armoured or non-armoured cables
- HIGH DOMED LID allow terminals to be mounted level with top of base >
Quicker installation with easy access to terminal entries
- Comes standard with 2 x M20 entries (Extra 3 x M20 possible with holesaw)
- ATEX and IECEx Certified for gas and dust hazardous areas.
- Exe II T6 Ex tD A21 IP68 (2M) T85°C



Type	Length (mm)	Width (mm)	Depth (mm)	Inner Height (mm)	Weight (G)	Order No.
KLIK - LOK No. 1	120	120	86.5	66	250	7940007257
KLIK - LOK No. 1 With Clear Polycarbonate Lid	120	120	86.5	66	250	7940007258
KLIK - LOK No. 1 With 4 x WDU 2.5 (paired) Terminals and 2 x WPE 4 Earth Terminals	120	120	86.5	66	250	7940019453
KLIK - LOK No. 2 With Clear Polycarbonate Lid	149	149	110.5	89	500	7940026968
	149	149	110.5	89	500	7940022270

Three Way Bottom Entry IP68/66 Cable Box**Features Include:**

- Integral terminal mounting rail mounted at a high level giving the EASIEST POSSIBLE ACCESS for cable entry and wiring
- TOUGH & NON-CORROSIVE nylon polyamide material
- HIGH IP68/66 sealing for water and dust protection
- THREE 20MM BOTTOM ENTRIES positioned to allow easy access to all 3 glands (even enough room to be tightened with a spanner)
- INTEGRAL EARTH MAT so that the metal glands do not require earthing
- CHOICE of Black or UV stabilised polycarbonate lid
- Quicker installation with easy access to terminal entries



Type	Length (mm)	Width (mm)	Depth (mm)	Inner Height (mm)	Weight (G)	Order No.
3 WAY BOTTOM ENTRY CABLE BOX No. 1	120	120	90	68	250	7940018151
3 WAY BOTTOM ENTRY CABLE BOX No. 1 With Clear Polycarbonate Lid	120	120	90	68	250	7940018150
3 WAY BOTTOM ENTRY CABLE BOX No. 1 With 4 x WDU 2.5 (paired) Terminals and 2 x WPE 4 Earth Terminals	120	120	90	68	250	7940018374

EZEE-FIT Cable Boxes IP68**Features Include:**

- HIGH STRENGTH impact resistant non-corrosive reinforced plastic material
- HIGH IP68/66 sealing for water and dust protection
- Unique INBUILT EARTH CONTINUITY with integral cable glands and in-built earth bar
- ECONOMICAL and MULTIPURPOSE solution for use with armoured or non-armoured cables
- Ideal for AGGRESSIVE ENVIRONMENTS and DIRECT BURYING applications
- ATEX and IECEx Certification

**Standard and reduced entry EZEE-FIT black cable boxes**

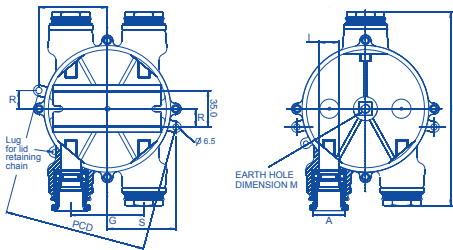
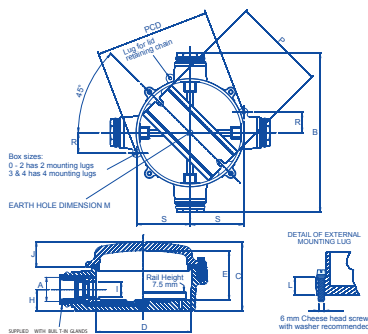
Type	Size	Configuration	Entry Size	Order No.
56022	0	2 way through	20mm	7940007279
56023	0	3 way "T"	20mm	7940007280
56024	0	4 way right angle	20mm	7940007281
56025	1	2 way through	25mm	7940007282
57131	1	2 way through	20mm	7940007293*
56026	1	3 way "T"	25mm	7940007283
56132	1	3 way "T"	20mm	7940007294*
56053	1	3 way P.E. "Y"	25mm	7940007705
57134	1	3 way P.E. "Y"	20mm	7940007296*
56027	1	4 way right angle	25mm	7940007284
57133	1	4 way right angle	20mm	7940007295*
56028	2	2 way through	32mm	7940007285
57135	2	2 way through	25mm	7940007297*
56029	2	3 way "T"	32mm	7940007286
57136	2	3 way "T"	25mm	7940007298
56063	2	3 way P.E. "Y"	32mm	7940007545
57138	2	3 way P.E. "Y"	25mm	7940007300*
56030	2	4 way right angle	32mm	7940007287
57137	2	4 way right angle	25mm	7940007299*
56064	2	4 way right angle	32mm	7940010497
57139	2	4 way P.E. "H"	25mm	7940007308*
56031	3	2 way through	40mm	7940007288
56032	3	3 way "T"	40mm	7940007309
56065	3	3 way P.E. "Y"	40mm	7940007547
56033	3	4 way right angle	40mm	7940007289
56034	4	2 way through	50mm	7940007290
56035	4	3 way "T"	50mm	7940007291
56036	4	4 way right angle	50mm	7940007292

Note * Reduced Entry

Technical Data for EZEE-FIT Cable Boxes

Features Include:

- Standard integral SWA gland cable sizes EZEE-FIT black cable boxes
- Cut-out view of EZEE-FIT Cable Box EZEE-FIT black
 - Synthetic rubber ,O' ring lid gasket
 - Encapsulated copper earth rod
 - Unique integral cable gland



Type	Min. Bedding Diameter (mm)	Max. Bedding Diameter (mm)
0	8.5	12.6
1	12.6	15.7
2	15.7	20.4
3	20.4	26.3
4	26.3	34.7

Ex e/n EZEE-FIT JUNCTION BOX DIMENSIONS																
RIGHT ANGLE ENTRY BOX																
Size	A Entry Thread	B Across Entries	C Overall Height		D Internal Diam.	E Internal Depth		H	I Bore	J Lid Height	PCD	L	M Tapped Earth Stud Hole	P Rail Length	R	S
			Std. Lid	PC. Lid		Std. Lid	PC. Lid									
0	20 x 1.5P	144.8	62.0	75.0	89.0	46.5	67.1	18.2	12.6	26.0	109.0	18.2	M4 x 6.0	80.0	22.5	48.5
1	25 x 1.5P	169.4	75.6	84.0	98.0	49.9	73.2	21.6	15.7	28.6	118.0	21.6	M4 x 6.0	80.0	25.4	53.1
2	32 x 1.5P	201.8	104.4	98.2	123.0	76.6	85.2	26.3	20.4	47.9	145.0	26.3	M6 x 8.0	108.0	31.8	65.1
3	40 x 1.5P	271.0	132.9	133.0	175.4	110.1	115.3	33.8	26.3	69.2	196.0	33.8	M8 x 8.0	150.0	47.6	85.7
4	50 x 2.0P	323.6	145.2	145.3	224.7	119.2	125.5	36.1	34.7	70.6	248.5	39.2	M8 x 8.0	150.0	60.3	108.7

Ex e/n EZEE-FIT JUNCTION BOX DIMENSIONS																	
PARALLEL ENTRY BOX																	
Size	A Entry Thread	B Across Entries	C Overall Height		D Internal Diam.	E Internal Depth		G	H	I Bore	J Lid Height	PCD	L	M Tapped Earth Stud Hole	P Rail Length	R	S
			Std. Lid	PC. Lid		Std. Lid	PC. Lid										
1	25 x 1.5P	169.4	75.6	90.2	98.0	56.0	79.9	63.5	21.6	15.7	28.6	118.0	21.6	M4 x 6.0	80.0	15.6	56.4
2	32 x 1.5P	201.8	104.4	104.5	123.4	82.9	91.0	76.2	26.3	20.4	47.9	144.9	26.3	M6 x 8.0	108.0	19.1	71.4
3	40 x 1.5P	271.0	139.1	139.2	176.0	113.6	121.2	101.6	33.8	26.3	69.2	196.1	33.8	M8 x 8.0	150.0	25.5	95.1

EZEE-JB: Special Armoured Boxes

Features Include:

- TOUGH & NON-CORROSIVE nylon polyamide material
- HIGH IP66 sealing for water and dust protection
- One threaded entry on each side
- INTEGRAL EARTH MAT so that the metal glands do not require earthing
- CHOICE of Black or UV stabilised polycarbonate lid
- ECONOMICAL and MULTIPURPOSE solution for use with armoured or non-armoured cables
- Ideal for AGGRESSIVE ENVIRONMENTS



Type	Entry Thread	Diameter (mm)	Ext. Height (mm)	Inner Height (mm)	Mounting Holes PCD	Order No.
No. 0 x 4W	M20	100	74.5	60.2	109	7940007546
No. 1 x 4W	M25	110	82.7	65.2	117.7	POA
No. 2 x 4W	M32	134	101.5	80.2	144.9	POA

Note * POA = Price on Application

Accessories for EZEE-FIT Cable Boxes IP68**SEE-THROUGH POLYCARBONATE LIDS**

See-through polycarbonate lids can be fitted to all EZEE-FIT cable boxes for ease of inspection and fault finding. The corners have replaceable gaskets.



Type	Box Size	Order No.
57110	0	7940007242
57111	1	7940007243
57112	2	7940007244
57113	3	7940007245
57114	4	7940007246

Compression conversion kits for unarmoured cables

Compression conversion kits enable unarmoured cable to be fitted to EZEE-FIT cable boxes. The kits replace the inner seal, cone bush and compression ring of the standard box integral gland or reducing gland.



Type	Box Size	Conversion Kit Type	Overall Diameter Min. (mm)	Overall Diameter Max. (mm)	Order No.
62000	0	0 x S	3	6	7940007341
62001	0	0S	6	9.4	7940007342
62002	0	0L	9.5	12.6	7940007343
62003	1	1 RxS	3	6	7940007344
62043	1	1 RS	6	9.4	7940007351
62044	1	1 RL	9.5	12.6	7940007352
62011	1	1	12.7	15.7	7940007345
62021	2	2	15.8	20.4	7940007346
62031	3	3 S	20.5	23.3	7940007347
62032	3	3 L	23.4	26.3	7940007348
62041	4	4 S	26.4	30.6	7940007349
62042	4	4 L	30.7	34.7	7940007350

Compression conversion kits for unarmoured cables

Boxes can be purchased with waterproofing shrouds which cover the complete gland and fit into the shroud groove of the built-in gland entry.

Note: shrouds must be ordered separately. See also reducing glands.



Type	Box Size	Shroud	Order No.
3010	0	Short	7940007310
3011	1	Short	7940007311
3012	2	Short	7940007312
3013	3	Short	7940007313
3014	4	Short	7940007314



Weidmüller 

Nylofix Plus Industrial Grade Polyamid Flexible Conduit and Fittings

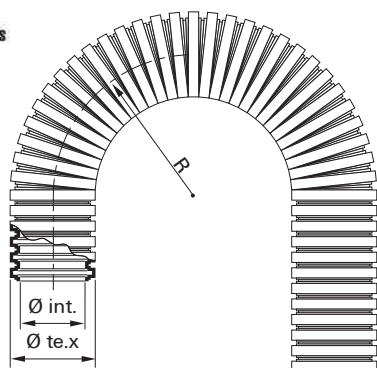
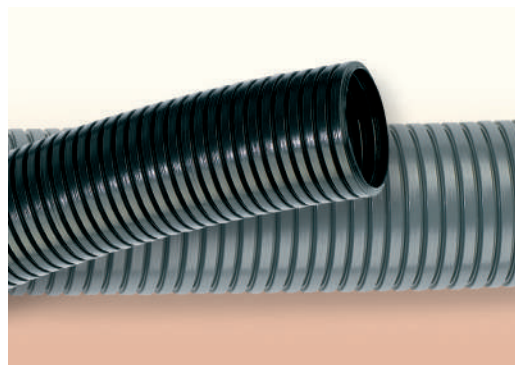
The NYLOFIX-PLUS range of 'Industrial Grade Polyamide Flexible Conduit & Fittings' offers a quick easy assembly and removal system. The patented corrugated profile of the conduit also allows offering watertight protection. To see the full range or to find your preferred reseller please go to...

www.flexibleconduit.com.au

AGT Conduit

- Made of specially modified polyamide (PA6)
- Special patented profile for housing the ORJ sealing O-Ring
- Free of halogen, phosphorus and cadmium
- Heat resistant and self-extinguishing (V2 acc. to UL94)
- Temperature range: -40°C to +105°C. (150°C short term)
- UV Resistant (Black Version)
- Colours: Black (Grey available on special request)

Medium-wall and flexible corrugated conduit for insulating and mechanical protection of cables in the electrical installation of machinery and industrial equipment in accordance with standard EN 60204-1 (Safety of Machinery).



Part No	Description	ND	Ø Int.	Ø ext.	MBR (Static)	Weight g/m	Pack Size
7940085174	AGT-07N	7	6.3	10.0	15	18	50
7940085175	AGT-10N	10	9.7	13.0	20	25	50
7940085176	AGT-12N	12	12.2	15.8	30	33	50
7940085177	AGT-17N	17	16.8	21.2	40	56	50
7940085178	AGT-23N	23	22.6	28.5	55	90	50
7940085179	AGT-29N	29	28.3	34.5	65	122	50
7940085180	AGT-36N	36	36.3	42.5	80	152	50
7940085181	AGT-48N	48	47.4	54.5	95	212	50
7940085182	AGT-70N	70	69.1	80.7	200	423	10**
7940085183	AGT-95N	95	91.7	106.0	265	660	10**

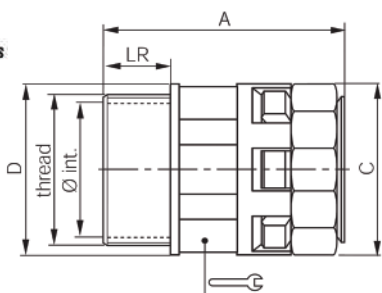
Note *Except for ND 70 and ND 95
**Other Lengths on Request

MBR = Minimum Bending Radius
ND = Nominal Diameter

MIR-M Straight Metric Thread Connector

- Made of specially modified polyamide (PA6)
- Free of halogen, phosphorus and cadmium
- Self-extinguishing
- Temperature range: -30°C to +105°C. (150°C short term)
- Shock-resistant
- IP66 protection. IP68/IP69K with ORJ & PLJ - See Nylofix Catalogue for details
- "Easy-click" quick assembly and removal of the conduit without tools
- Colours: Black (Grey available on special request)

Straight metric male according to EN 60423 connector for fixing the ends of flexible corrugated conduits to the cable entries on control panels, terminal boxes on electric motors, etc, in accordance with standard EN 60204 (Safety of Machinery). They are notable for their high tensile strength and tightness.

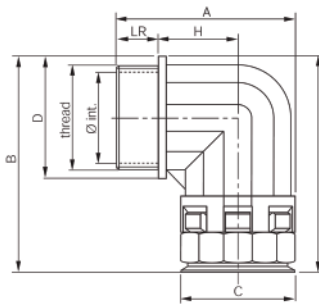


Part No	Description	ND	Thread	Ø Int.	A	C	D	LR	Weight g	Pack Size
7940085185	MIR-07M12N	7	M12x1.5	6.5	35	19	17	15	4.6	100
7940085186	MIR-10M16N	10	M16x1.5	10.0	37	21	21	18	6.0	100
7940085187	MIR-12M16N	12	M16x1.5	10.0	37	26	25	20	7.6	100
7940085188	MIR-12M20N	12	M20x1.5	14.0	37	26	25	20	7.8	100
7940085189	MIR-17M20N	17	M20x1.5	14.5	44	31	30	27	12.4	100
7940085190	MIR-17M25N	17	M25x1.5	18.5	45	21	34	27	13.5	100
7940085191	MIR-23M25N	23	M25x1.5	18.5	48	37	37	34	17.5	50
7940085192	MIR-23M32N	23	M32x1.5	25.5	51	37	42	34	19.6	50
7940085193	MIR-29M32N	29	M32x1.5	25.5	52	46	46	42	28.6	30
7940085194	MIR-29M40N	29	M40x1.5	32.0	56	46	52	42	32.4	30
7940085195	MIR-36M40N	36	M40x1.5	32.0	60	54	54	50	42.2	20
7940085196	MIR-36M50N	36	M50x1.5	42.0	60	54	62	50	45.9	20
7940085197	MIR-48M50N	48	M50x1.5	42.0	61	69	69	66	66.9	10
7940085198	MIR-48M63N	48	M63x1.5	54.0	61	69	75	66	72.7	10

NEC-M 90° Elbow Metric Thread Connector

- Made of specially modified polyamide (PA6)
- Free of halogen, phosphorus and cadmium
- Self-extinguishing
- Temperature range: -30°C to +105°C. (150°C short term)
- Shock-resistant
- IP66 protection. IP68/IP69K with ORJ & PLJ - See Nylofix Catalogue for details
- "Easy-click" quick assembly and removal of the conduit without tools
- Colours: Black (Grey available on special request)

90° elbow metric male according to EN 60423 connector for fixing the ends of flexible corrugated conduits to the cable entries on control panels, terminal boxes on electric motors, etc., in accordance with standard EN 60204 (Safety of Machinery). They are notable for their high tensile strength and tightness.



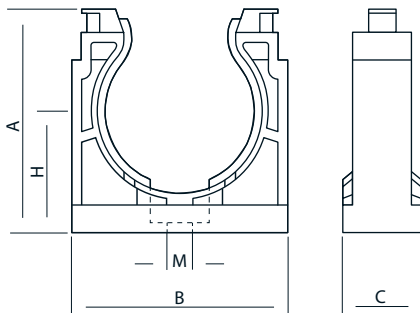
Part No	Description	ND	Thread	Ø Int.	A	B	C	D	H	LR	Weight g	Pack Size
7940085199	NEC-10M16N	10	M16x1.5	10.0	35	42	21	21	11	11	8.9	50
7940085200	NEC-12M16N	12	M16x1.5	10.5	39	44	25	23	15	11	13.7	50
7940085201	NEC-12M20N	12	M20x1.5	12.3	39	45	25	23	15	11	13.3	50
7940085202	NEC-17M20N	17	M20x1.5	14.5	45	58	30	30	18	11	22.4	50
7940085203	NEC-23M25N	23	M25x1.5	18.5	53	66	36	37	23	12	34.2	30
7940085204	NEC-29M32N	29	M32x1.5	25.5	66	76	45	46	27	15	57.0	20
7940085205	NEC-36M40N	36	M40x1.5	32.0	79	89	54	55	33	19	93.0	10
7940085206	NEC-48M50N	48	M50x1.5	42.0	92	103	68	69	39	19	153.2	10

Note * Dimensions in mm

SDN Support

- Made of specially modified polyamide (PA6)
- Free of halogen, phosphorus and cadmium
- Self-extinguishing
- Temperature range: -30°C to +105°C. (150°C short term)
- Shock-resistant
- Colours: Black (Grey available on special request)

Supports for securing sections of corrugated conduits between the various parts of the electrical installation on machines. With conduit entry guide and notches for setting an adjustable cable-tie under special securing situations, e.g. on ceilings.



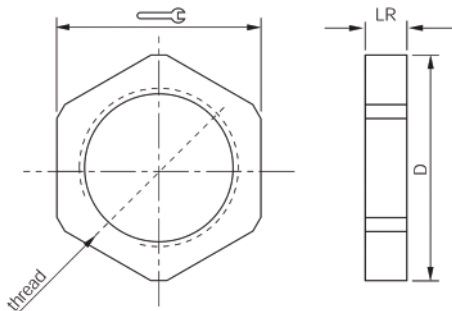
Part No	Description	For Conduit ND	A	B	C	H	Bolt M	Recommended Cable-tie	Weight g	Pack Size
7940085234	SDN-07N	7	20	17	20	12	M4	75 x 2.5	2.2	100
7940085235	SDN-10N	10	23	21	20	14	M5	75 x 2.5	2.8	100
7940085236	SDN-12N	12	26	25	20	15	M5	75 x 2.5	3.6	100
7940085237	SDN-17N	7/18	32	32	20	18	M5	140 x 3.5	5.8	100
7940085238	SDN-23N	23	41	40	20	23	M6	140 x 3.5	9.4	50
7940085239	SDN-29N	29	47	46	20	26	M6	160 x 4.5	10.8	30
7940085240	SDN-36N	36	57	56	20	32	M6	160 x 4.5	15.4	20
7940085241	SDN-48N	48	70	70	20	39	M6	160 x 4.5	21.0	10

Note * Dimensions in mm

M Polyamide Metric Thread Lock Nuts

- Made of specially modified polyamide (PA6)
- Metric thread according to EN 60423
- Self-extinguishing
- Shock-resistant
- Temperature range: -30°C to +105°C (150°C short term)
- Colours: Black (Grey available on special request)

Hexagonal female metric thread lock nuts for securing connectors and elbows in thin or not threaded walls of boxes and cabinets.

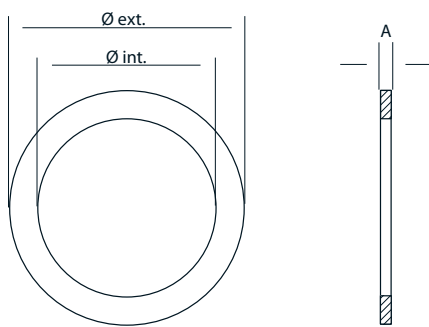
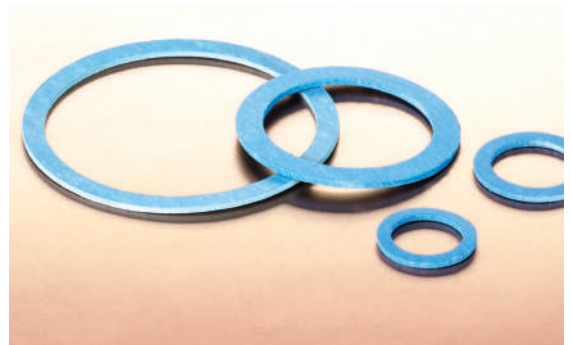


Part No	Description	Thread	D		LR	Weight g	Pack Size
7940085376	261247	M12 x 1.5	18	17	5	0.8	100
1736920000	261647	M16 x 1.5	24	22	5	1.4	100
1736930000	262047	M20 x 1.5	28	26	6	2.0	100
1736940000	262547	M25 x 1.5	35	32	6	3.0	100
1736950000	263247	M32 x 1.5	47	42	7	6.2	100
1736960000	264047	M40 x 1.5	57	52	7	9.0	50
1736970000	265047	M50 x 1.5	68	62	8	14.4	50
1736980000	266347	M63 x 1.5	85	78	8	22.0	50

PLJ Sealing Washers

Die-cut sealing washers that allow the entry of cables into housings (boxes, cabinets, etc.) with a degree of protection up to IP68 between the housing and the connector's base.

- Made of deformable asbestos-free material
- Temperature range: -40°C to +200°C



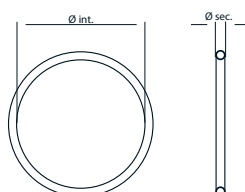
Part No	Description	For Thread	Ø int.	Ø ext.	A	Weight g	Pack Size
7940085265	PLJ-M12	M12x1.5	12.0	18	1.5	0.32	100
7940085266	PLJ-M16	M16x1.5	16.0	22	1.5	0.42	100
7940085267	PLJ-M20	M20x1.5	20.0	27	1.5	0.62	100
7940085268	PLJ-M25	M25x1.5	25.0	35	1.5	1.25	50
7940085269	PLJ-M32	M32x1.5	32.0	43	1.5	1.63	30
7940085270	PLJ-M40	M40x1.5	40.0	55	1.5	2.93	20
7940085271	PLJ-M50	M50x1.5	50.0	69	1.5	4.75	10
7940085272	PPLJ-M63	M63x1.5	63.0	82	1.5	3.34	10

Note * Dimensions in mm

O-Rings for Conduits ORJ

ORJ O-rings to be placed on the first groove at the end of INTERFLEX corrugated conduits in order to obtain a degree of protection up to IP68 between the conduit and the connector.

- NBR 70 elastomer
- Temperature range: -30°C to +100°C



Part No	Description	For Conduit ND	Ø Int.	Ø sec.	Pack Size
7940085252	ORJ-07	7	6.35	1.3	100
7940085253	ORJ-10	10	10.0	1.3	100
7940085254	ORJ-12	12	11.5	1.5	100
7940085255	ORJ-17	17/18	16.0	1.8	100
7940085256	ORJ-23	23	22.0	2.0	50
7940085257	ORJ-29	29	29.0	2.0	30
7940085258	ORJ-36	36	34.0	2.3	20
7940085259	ORJ-48	48	44.6	2.4	10
7940085474	ORJ-70	70	70.0	4.0	5
7940085475	ORJ-95	95	98.0	4.5	5