

## Switching solutions for industry

2022

Market leading range of switches and  
switching solutions

With close to 80 years of experience in designing and manufacturing, Katko are market leaders in the field of industrial switching. Cuthbert Stewart Ltd are proud to bring a complete range of enclosed isolating switches, PV isolating switches and cable glands to the local New Zealand market.



NATIONAL DISTRIBUTORS OF



[csl-online.nz](http://csl-online.nz)



## Switching solutions for industry

Market leading range of switches and switching solutions

### CONTENTS

<ul style="list-style-type: none"> <li>  POLYCARBONATE ENCLOSED ISOLATING SWITCHES 10-630 A 4               <ul style="list-style-type: none"> <li>- 3 POLE</li> <li>- 4 POLE</li> <li>- 6 POLE</li> <li>- 8 POLE</li> </ul> </li> <li>  ALUMINIUM ENCLOSED ISOLATING SWITCHES 16-250 A 5               <ul style="list-style-type: none"> <li>- 3 POLE</li> <li>- 4 POLE</li> <li>- 6 POLE</li> </ul> </li> <li>  STAINLESS STEEL ENCLOSED HYGIENIC ISOLATING SWITCHES 16-1600 A 6               <ul style="list-style-type: none"> <li>- 3 POLE</li> <li>- 4 POLE</li> <li>- 6 POLE</li> </ul> </li> <li>  STAINLESS STEEL ENCLOSED ISOLATING SWITCHES 16-160 A 6               <ul style="list-style-type: none"> <li>- 3 POLE</li> <li>- 4 POLE</li> </ul> </li> <li>  STEEL ENCLOSED ISOLATING SWITCHES 16-1600 A 7               <ul style="list-style-type: none"> <li>- 3 POLE</li> <li>- 4 POLE</li> <li>- 6 POLE</li> </ul> </li> <li>  SIDE OPERATED POLYCARBONATE ENCLOSED ISOLATING SWITCHES 16-25A 7               <ul style="list-style-type: none"> <li>- 3 POLE</li> </ul> </li> <li>  EMC- PROTECTED ENCLOSED ISOLATING SWITCHES 16-630 A 8               <ul style="list-style-type: none"> <li>- 3 POLE - POLYCARBONATE</li> <li>- 4 POLE - POLYCARBONATE</li> </ul> </li> <li>  CHANGEOVER SWITCHES 8               <ul style="list-style-type: none"> <li>- 3 POLE</li> </ul> </li> <li>  REVERSING SWITCHES 8               <ul style="list-style-type: none"> <li>- 3 POLE</li> </ul> </li> <li>  FIRE RATED ALUMINIUM ENCLOSED ISOLATING SWITCHES 16-200A 9               <ul style="list-style-type: none"> <li>- F200 3H = 200°C for 3 hours</li> <li>- F300 2H = 300°C for 2 hours</li> </ul> </li> <li>  LOAD BREAK SWITCHES 10               <ul style="list-style-type: none"> <li>• KU SERIES - COMPACT, 16-125A, RED HANDLE                   <ul style="list-style-type: none"> <li>- 3 POLE</li> <li>- 4 POLE</li> </ul> </li> <li>• KU SERIES - MODULAR, 100-160A, BLACK HANDLE                   <ul style="list-style-type: none"> <li>- 3 POLE</li> <li>- 4 POLE</li> <li>- 6 POLE</li> </ul> </li> </ul> </li> </ul>	<ul style="list-style-type: none"> <li>• KU SERIES ACCESSORIES</li> <li>• VKA SERIES 125-250A, BLACK HANDLE &amp; SHAFT INCLUDED               <ul style="list-style-type: none"> <li>- 3 POLE</li> </ul> </li> <li>• VKE SERIES 125-630A, BLACK HANDLE &amp; SHAFT INCLUDED               <ul style="list-style-type: none"> <li>- 3 POLE</li> <li>- 4 POLE</li> </ul> </li> <li>  TOGGLE LOAD BREAK SWITCHES 12               <ul style="list-style-type: none"> <li>• EVA Series 125-250A                   <ul style="list-style-type: none"> <li>- 3 POLE</li> <li>- 4 POLE</li> </ul> </li> </ul> </li> <li>  FUSE SWITCHES 12               <ul style="list-style-type: none"> <li>• KVKE Series 63-160A                   <ul style="list-style-type: none"> <li>- 3 POLE</li> <li>- 4 POLE</li> </ul> </li> <li>• KVKE Series                   <ul style="list-style-type: none"> <li>- 3 POLE</li> <li>- 4 POLE</li> </ul> </li> <li>• KVKE Series Accessories</li> </ul> </li> <li>  ACCESSORIES FOR ISOLATING SWITCHES 14               <ul style="list-style-type: none"> <li>- Handles</li> <li>- Door Mounting Kits</li> <li>- Extension Shafts</li> <li>- Auxilliary Contacts</li> </ul> </li> <li>  METRIC CABLE GLANDS (PLASTIC) 15               <ul style="list-style-type: none"> <li>- Cable Glands With Strain Relief</li> <li>- Plastic Locknuts</li> <li>- Metric Cable Glands (Metal)</li> <li>- Cable Glands With Strain Relief</li> <li>- Metal Locknuts</li> </ul> </li> <li>  METRIC CABLE GLANDS (STAINLESS STEEL) 15               <ul style="list-style-type: none"> <li>- Cable Glands With Strain Relief</li> </ul> </li> <li>  PART NUMBER CONVERSION - OLD TO NEW 16               <ul style="list-style-type: none"> <li>- Cable Glands With Strain Relief</li> </ul> </li> <li>  PRODUCT DIMENSIONAL DRAWINGS 21</li> </ul>
--	---

KATKO is a specialised manufacturer of load break switches, switch fuses, safety switches, motor protection switches and a range of complementary accessories. With close to 80 years of experience in designing and manufacturing load break switches, isolators and switch fuses, from their inception, Katko have been focussed on product innovation and customer service.

Based in Finland and with manufacturing facilities both there and in Poland, Cuthbert Steward Ltd are proud national distributors of the Katko range in New Zealand. The product portfolio covers a full range of enclosed switches in polycarbonate, ABS, aluminium, stainless steel and sheet steel to match all specifications in a broad spectrum of applications and industries



## FOOD INDUSTRY

**Food processing, Dairy, Meat packing & processing, Beverage-making.**

KATKO is a solution provider for the global dairy industry, leading the way in both food hygiene and work safety. KATKO products can be tailored in collaboration with the customer to suit their specific hygiene and performance needs: endurance of both cold and warm jet water sprays, moisture, chemicals and detergents.



## HEAVY INDUSTRY

**Water and Waste-Water, Power Generation, Metal Manufacturing, Timber, Pulp and Paper.**

KATKO solutions cover all fields of heavy industry. They have served pulp and paper companies for decades and have grown to be an essential part of the value chain for the widest spectrum of industries all around the world – ranging from metal manufacturing to water purification to strip mills.



## HAZARDOUS AND DEMANDING AREAS

**Mining and Processing, Oil and Gas, Fire and Marine.**

Even the world's most demanding and hostile environments need to be switched on and off. KATKO delivers stainless steel casings and extra-strong handles for the mining industry in both the northern and southern hemispheres. Their ATEX products serve high-risk areas and their RINA-certified marine product range was chosen for the world's largest passenger vessel.



## RENEWABLE ENERGY

**Photovoltaic, Wind power and Recycling.**

KATKO continuously works on new solutions for renewable energy – today's fastest growing area of energy production. The Nordic operational environment is the perfect laboratory setting for product development both because of the region's high-standard of research facilities and also because of its harsh and intensely varied climate.



**Polycarbonate (IP66) or ABS (IP65) enclosure.**

Good resistance against UV and many chemicals. Available in grey/black or yellow/red.

**Retrofit 'snap on' auxiliary contacts.**  
No need to touch existing cabling.

**5 cable entries:**

M20 & M25 mm as standard on the top and bottom and M20 on the base. Knock-out glands are easy to open.

**Large cable terminals**  
1,5 - 16 mm<sup>2</sup> up to 40A  
2,5 - 35 mm<sup>2</sup> up to 80A

**Neutral & earth terminals**  
fitted on 3 pole switch.  
Only earth on 4 pole switch.



Stainless steel screw fixing

Provision for 3 padlocks

**Retained handle,** you don't need to unscrew to remove the cover.

**Door interlock with defeat mechanism**  
Self-extinguishing material and excellent insulating properties  
Padlocking in OFF position prevents access to the actuator.  
Reliable position indication



**Fully rated Load Break Switch.**

Breaking capacity of 8xAC23 rating. Back up fuse rating to match motor manufacturers recommendation.

**Enclosure mounting screws (4,5 mm in diameter) isolated from the inside housing** keeping the integrity of the IP65/IP66 rating.

**Removable Contact Block.**

Enables unplugging the switch for easy cabling

# POLYCARBONATE ENCLOSED ISOLATING SWITCHES 10-630 A



- | IP66; Enclosure types U2, U3, U4
- | IP65; Enclosure types MF11, MF03, MF04
- | Self-extinguishing material
- | Wide operating temperature range
- | Padlockable
- | Door interlock with defeat mechanism
- | Excellent insulating properties
- | Good UV resistance
- | Good resistance against many chemicals
- | Available up to 630 A

## 3 POLE

Part Number		Ie A AC-23 (415/690V)	kW AC-23 (415/690V)	Enclosure Size	IP Rating
Grey Enclosure Black Handle	Yellow Front Red Handle				
KEM310M2		10/10	5.5/7.5	U2	IP66
<b>KEM316M2</b>	<b>KEM316YRM2</b>	<b>16/16</b>	<b>7.5/11</b>	<b>U2</b>	<b>IP66</b>
<b>KEM325M2</b>	<b>KEM325YRM2</b>	<b>25/25</b>	<b>11/22</b>	<b>U2</b>	<b>IP66</b>
<b>KEM340M2</b>	<b>KEM340YRM2</b>	<b>40/32</b>	<b>22/30</b>	<b>U2</b>	<b>IP66</b>
<b>KEM363M3</b>	<b>KEM363YRM3</b>	<b>40/40</b>	<b>22/37</b>	<b>U3</b>	<b>IP66</b>
<b>KEM380M3</b>	<b>KEM380YRM3</b>	<b>63/40</b>	<b>30/37</b>	<b>U3</b>	<b>IP66</b>
<b>KEM3125M4</b>	<b>KEM3125YRM4</b>	<b>125/80</b>	<b>55/75</b>	<b>U4</b>	<b>IP66</b>
<b>KEM3160MF11</b>	<b>KEM3160YRMF11</b>	<b>160/100</b>	<b>90/90</b>	<b>MF11</b>	<b>IP65</b>
KEM3200MF03	<b>KEM3200YRMF03</b>	<b>200/200</b>	<b>110/160</b>	<b>MF03</b>	<b>IP65</b>
<b>KEM3250MF03</b>	<b>KEM3250YRMF03</b>	<b>250/250</b>	<b>132/250</b>	<b>MF03</b>	<b>IP65</b>
<b>KEM3400MF03</b>	<b>KEM3400YRMF03</b>	<b>400/400</b>	<b>200/355</b>	<b>MF03</b>	<b>IP65</b>
<b>KEM3630MF04</b>	<b>KEM3630YRMF04</b>	<b>630/500</b>	<b>355/500</b>	<b>MF04</b>	<b>IP65</b>

## 4 POLE

Part Number		Ie A AC-23 (415/690V)	kW AC-23 (415/690V)	Enclosure Size	IP Rating
Grey Enclosure Black Handle	Yellow Front Red Handle				
KEM425M2	KEM425YRM2	25/25	11/22	U2	IP66
KEM440M2	KEM440YRM2	40/32	22/30	U2	IP66
KEM463M3	KEM463YRM3	40/40	22/37	U3	IP66
KEM480M3	KEM480YRM3	63/40	30/37	U3	IP66
KEM4125M4	KEM4125YRM4	125/80	55/75	U4	IP66
KEM4160MF11	KEM4160YRMF11	160/100	90/90	MF11	IP65
KEM4200MF03	KEM4200YRMF03	200/200	110/160	MF03	IP65
KEM4250MF03	KEM4250YRMF03	250/250	132/250	MF03	IP65
KEM4400MF03	KEM4400YRMF03	400/400	200/355	MF03	IP65
KEM4630MF04	KEM4630YRMF04	630/500	355/500	MF04	IP65

## 6 POLE

Part Number		Ie A AC-23 (415/690V)	kW AC-23 (415/690V)	Enclosure Size	IP Rating
Grey Enclosure Black Handle	Yellow Front Red Handle				
<b>KEM625M3</b>	KEM625YRM3	<b>25/25</b>	<b>11/22</b>	<b>U3</b>	<b>IP66</b>
KEM640M3	KEM640YRM3	40/32	22/30	U3	IP66
KEM663M3		40/40	22/37	U3	IP66
KEM680M3	KEM680YRM3	63/40	30/37	U3	IP66
KEM6125MF11	KEM6125YRMF11	125/80	55/75	MF11	IP66
KEM6160MF11	KEM6160YRMF11	160/100	90/90	MF11	IP65

## 8 POLE

Part Number		Ie A AC-23 (415/690V)	kW AC-23 (415/690V)	Enclosure Size	IP Rating
Grey Enclosure Black Handle	Yellow Front Red Handle				
KEM825M3	KEM825YRM3	25/25	11/22	U3	IP66

**STOCKED ITEM**

NON STOCKED ITEM

# ALUMINIUM ENCLOSED ISOLATING SWITCHES 16-250 A



- | IP66; Enclosure types A2, A3
- | IP65; Enclosure types A4, A5
- | IK08; A2, A3 (Degree of mechanical impact)
- | IK10: A4, A5
- | Wide operating temperature range
- | Good resistance against many chemicals
- | Good UV resistance
- | Excellent for hard weather conditions
- | Padlockable
- | Door interlock with defeat mechanism
- | Available up to 250 A

## 3 POLE

Part Number		Ie A AC-23 (415/690V)	kW AC-23 (415/690V)	Enclosure Size	IP Rating
Grey Enclosure Black Handle	Yellow Front Red Handle				
<b>KEA316A2</b>	<b>KEA316YRA2</b>	<b>16/16</b>	<b>7.5/11</b>	<b>A2</b>	<b>IP66</b>
	KEA325YRA2	16/16	7.5/11	A2	IP66
<b>KEA325A2</b>	<b>KEA340YRA2</b>	<b>25/25</b>	<b>11/22</b>	<b>A2</b>	<b>IP66</b>
		25/25	11/22	A3	IP66
<b>KEA340A2</b>	<b>KEA363YRA4</b>	<b>40/32</b>	<b>22/30</b>	<b>A2</b>	<b>IP66</b>
	KEA380YRA4	40/32	22/30	A3	IP66
<b>KEA363A4</b>	<b>KEA3125YRA4</b>	<b>40/40</b>	<b>22/37</b>	<b>A3</b>	<b>IP66</b>
<b>KEA380A4</b>	<b>KEA3160YRA4</b>	<b>63/40</b>	<b>30/37</b>	<b>A3</b>	<b>IP66</b>
<b>KEA3125A4</b>	<b>KEA3200YRA6</b>	<b>125/80</b>	<b>55/75</b>	<b>A3</b>	<b>IP66</b>
<b>KEA3160A4</b>	<b>KEA3250YRA6</b>	<b>160/100</b>	<b>90/90</b>	<b>A3</b>	<b>IP66</b>
<b>KEA3200A6</b>	<b>KEA3200Y/R</b>	<b>200/200</b>	<b>110/160</b>	<b>A5</b>	<b>IP65</b>
<b>KEA3250A6</b>	<b>KEA3250Y/R</b>	<b>250/250</b>	<b>132/250</b>	<b>A5</b>	<b>IP65</b>

## 4 POLE

Part Number		Ie A AC-23 (415/690V)	kW AC-23 (415/690V)	Enclosure Size	IP Rating
Grey Enclosure Black Handle	Yellow Front Red Handle				
KEA440A2	KEA440YRA2	40/32	22/30	A2	IP66
KEA463A4	KEA463YRA4	40/40	22/37	A3	IP66
KEA480A4	KEA480YRA4	63/40	30/37	A3	IP66
KEA4125A4	KEA4125YRA4	125/80	55/75	A3	IP66
KEA4160A4	KEA4160YRA4	160/100	90/90	A3	IP66
KEA4200CA5	KEA4200CYRA5	200	110	A4	IP65
KEA4250CA5	KEA4250CYRA5	250	132	A4	IP65

## 6 POLE

Part Number		Ie A AC-23 (415/690V)	kW AC-23 (415/690V)	Enclosure Size	IP Rating
Grey Enclosure Black Handle	Yellow Front Red Handle				
	KEA616YRA4	16/16	7.5/11	A3	IP66
KEA640A4	KEA640YRA4	40/32	22/30	A3	IP66
KEA663A4	KEA663YRA4	40/40	22/37	A3	IP66
KEA680A4	KEA680YRA4	63/40	30/37	A3	IP66
KEA6125A5	KEA6125A5	125/80	55/75	A4	IP65
KEA6160A5	KEA6160YRA5	160/100	90/90	A4	IP65

STOCKED ITEM

NON STOCKED ITEM

## STAINLESS STEEL ENCLOSED ISOLATING SWITCHES 16-1600 A



- | IP66; Enclosure types H23, H32, H02
- | (AISI 316, acid proof)
- | IP65; Enclosure types H03, H04, H06, H07, H08
- | (AISI 304 as standard, AISI 316 on request)
- | Where hygiene and good protection against corrosion are required
- | Padlockable
- | Door interlock with defeat mechanism
- | Available up to 1600 A

### 3 POLE

Part Number	le A AC-23 (415/690V)	kW AC-23 (415/690V)	Enclosure Size	IP Rating
KER316YRRA2	16/16	7.5/11	H23	IP66
KER325YRRA2	25/25	11/22	H23	IP66
KER340YRRA2	40/32	22/30	H23	IP66
KER363YRRA4	40/40	22/37	H32	IP66
KER380YRRA4	63/40	30/37	H32	IP66
KER3125YRRA4	125/80	55/75	H32	IP66
KER3160YRRA5	160/100	90/90	H02	IP66
<b>KER3200YRR6</b>	<b>200/200</b>	<b>110/160</b>	<b>H03</b>	<b>IP65</b>
<b>KER3250YRR6</b>	<b>250/250</b>	<b>132/250</b>	<b>H03</b>	<b>IP65</b>
KER3400YRR6	400/400	200/355	H03	IP65

### 4 POLE

Part Number	le A AC-23 (415/690V)	kW AC-23 (415/690V)	Enclosure Size	IP Rating
KER416YRRA2	16/16	7.5/11	H23	IP66
KER425YRRA2	25/25	11/22	H23	IP66
KER440YRRA2	40/32	22/30	H23	IP66
KER463YRRA4	40/40	22/37	H32	IP66
KER480YRRA4	63/40	30/37	H32	IP66
KER4125YRRA4	125/80	55/75	H32	IP66
KER4160YRRA5	160/100	90/90	H02	IP66
KER4200YRR6	200/200	110/160	H03	IP65
KER4250YRR6	250/250	132/250	H03	IP65
KER4630YRR7	630/500	355/500	H04	IP65

## STAINLESS STEEL HYGIENIC ENCLOSED ISOLATING SWITCHES 16-160 A



- | Designed for hygienic and heavy environments
- | Easy to install and to keep clean
- | IP66/IP69K, stainless steel enclosure
- | Acid proof, AISI 316
- | Rainhood protection with angled top
- | Padlockable stainless steel handle
- | Available up to 160 A

### 3 POLE

Part Number		le A AC-23 (415/690V)	kW AC-23 (415/690V)	Enclosure Size		IP Rating
Flat Roof	Angled Roof			Flat Roof	Angled Roof	
<b>KER316RA2R</b>	KER316RA2RS	<b>16/16</b>	<b>7.5/11</b>	<b>H23T</b>	<b>H24T</b>	<b>IP66</b>
KER325RA2R	KER325RA2RS	25/25	11/22	H23T	H24T	IP66
KER340RA2R	KER340RA2RS	40/32	22/30	H23T	H24T	IP66
KER363RA4R	KER363RA4RS	40/40	22/37	H32T	H34T	IP66
KER380RA4R	KER380RA4RS	63/40	30/37	H32T	H34T	IP66
<b>KER3125RA5R</b>	<b>KER3125RA5RS</b>	<b>125/80</b>	<b>55/75</b>	<b>H02T</b>	<b>H02TR</b>	<b>IP66</b>
KER3160RA5R	<b>KER3160RA5RS</b>	<b>160/100</b>	<b>90/90</b>	<b>H02T</b>	<b>H02TR</b>	<b>IP66</b>
	<b>KER3200CRA5RS</b>	<b>200/-</b>	<b>110/-</b>	<b>H02T</b>	<b>H02TR</b>	<b>IP66</b>

### 4 POLE

Part Number		le A AC-23 (415/690V)	kW AC-23 (415/690V)	Enclosure Size		IP Rating
Flat Roof	Angled Roof			Flat Roof	Angled Roof	
KER416RA2R	KER416RA2RS	16/16	7.5/11	H23T	H24T	IP66
KER425RA2R	KER425RA2RS	25/25	11/22	H23T	H24T	IP66
KER440RA2R	KER440RA2RS	40/32	22/30	H23T	H24T	IP66
KER463RA4R	KER463RA4RS	40/40	22/37	H32T	H34T	IP66
KER480RA4R	KER480RA4RS	63/40	30/37	H32T	H34T	IP66
KER4125RA5R	KER4125RA5RS	125/80	55/75	H02T	H02TR	IP66
KER4160RA5R	KER4160RA5RS	160/100	90/90	H02T	H02TR	IP66

STOCKED ITEM

NON STOCKED ITEM



## STEEL ENCLOSED ISOLATING SWITCHES 16-1600 A



- | IP65
- | Good corrosion resistance
- | Wide operating temperature range
- | Padlockable
- | Door interlock with defeat mechanism
- | Excellent Insulating properties
- | Good UV resistance
- | Good resistance against many chemicals
- | Available up to 1600A

### 3 POLE

Part Number	le A AC-23 (415/690V)	kW AC-23 (415/690V)	Enclosure Size	IP Rating
Grey Enclosure Black Handle				
KET340T3	40/32	22/30	TR007	IP65
KET380T3	63/40	30/37	TR007	IP65

### 4 POLE

Part Number	le A AC-23 (415/690V)	kW AC-23 (415/690V)	Enclosure Size	IP Rating
Grey Enclosure Black Handle				
KET440T3	40/32	22/30	TR007	IP65
KET480T3	63/40	30/37	TR007	IP65

### 6 POLE

Part Number	le A AC-23 (415/690V)	kW AC-23 (415/690V)	Enclosure Size	IP Rating
Grey Enclosure Black Handle				
KET640T3	40/32	22/30	TR007	IP65
KET680T3	63/40	30/37	TR007	IP65

## SIDE OPERATED POLYCARBONATE ENCLOSED ISOLATING SWITCHES 16-25A



- | IP67 without cable glands, IP65 with cable glands
- | Fully rated Load Break Switch
- | Good resistance against UV and many chemicals
- | Membrane gasket cable entries with strain relief as standard, 2 x 20mm on top, 2 x 20mm on bottom and 2 x 15mm on base
- | Wall mounting with membrane gaskets
- | Wall mounting dimensions: 90,0 x 62,0
- | Large 1,5 - 16 mm<sup>2</sup> cable terminals
- | Padlockable handle to off-position
- | Handle sealable to on-position
- | Enclosure can be sealed in any position
- | Available 2, 3, 4P and with auxiliary contact (S)
- | Large 1,5 - 16 mm<sup>2</sup> Neutral and earth terminals on 3P switch, earth on 2P and 4P switches
- | Door interlock

### 3 POLE

Part Number	le A AC-23 (400V)	kW AC-23 (400V)	Poles
Grey Enclosure Black Handle			
<b>KSM225M1</b>	<b>25</b>	<b>11</b>	<b>2P</b>
<b>KSM325M12XM20P</b>	<b>25</b>	<b>11</b>	<b>3P</b>
KSM425M12XM20P	25	11	4P

STOCKED ITEM

NON STOCKED ITEM

## EMC- PROTECTED ENCLOSED ISOLATING SWITCHES 16-630 A



- | Electromagnetic compatibility ensures safe operation in environments with electromagnetic disturbance
- | Tested according to EN 55011 with EMC glands shielded power cable
- | IP66; Enclosure types U2, U3, A2, A3
- | IP65; Enclosure types TR02, TR03, TR04
- | Available in polycarbonate up to 80 A, aluminium up to 125 A and sheet steel up to 630 A
- | Also available in TR02, TR03 and TR04 enclosures
- | Padlockable
- | Door interlock with defeat mechanism
- | EMC cable glands included

### 3 POLE - POLYCARBONATE

Part Number		Ie A AC-23 (415/690V)	kW AC-23 (415/690V)	Enclosure Size	IP Rating
Grey Enclosure Black Handle	Yellow Front Red Handle				
<b>KEM316M2EMC2XM25MEMC</b>		<b>16/16</b>	<b>7.5/11</b>	<b>U2</b>	<b>IP66</b>
	<b>KEM325YRM2EMC2XM25MEMC</b>	<b>25/25</b>	<b>11/22</b>	<b>U2</b>	<b>IP66</b>
<b>KEM340M2EMC2XM25MEMC</b>		<b>40/32</b>	<b>22/30</b>	<b>U2</b>	<b>IP66</b>
<b>KEM363M3EMC2XM32MEMC</b>		<b>40/40</b>	<b>22/37</b>	<b>U3</b>	<b>IP66</b>
<b>KEM380M3EMC2XM32MEMC</b>	<b>KEM380YRM3EMC2XM32MEMC</b>	<b>63/40</b>	<b>30/37</b>	<b>U3</b>	<b>IP66</b>

## CHANGEOVER SWITCHES



- | Polycarbonate (TKM, KEM) or aluminium (KEA) enclosures
- | TKM-models with cam switch 16 to 40 A
- | KEM and KEA models consist of two KU or VKA switches connected by a change-over kit and range from 16 to 160 A
- | IP66; enclosure types U2, U3, U5, A3
- | IP65; enclosure type MF11
- | Self-extinguishing material
- | Excellent insulating properties
- | Wide operating temperature range
- | Good resistance against many chemicals
- | Good UV resistance
- | Padlockable
- | Door interlock with defeat mechanism
- | IEC 60947-3
- | Available up to 160 A

### 3 POLE

Part Number	Ie A AC-23 (415/690V)	kW AC-23 (415/690V)	Enclosure Size	IP Rating
TKM340VVM23XM32P	40*	18.5*	U2	IP66
<b>KEM380VVM3</b>	<b>63/40</b>	<b>30/37</b>	<b>U3</b>	<b>IP66</b>

\* 400/415V ONLY

## REVERSING SWITCHES



- | Cam switches
- | Polycarbonate enclosure, IP66
- | Rated thermal current I<sub>the</sub> 16 - 40 A
- | Padlockable
- | Door interlock with defeat mechanism
- | Terminals: Cu 1,5 - 16 mm<sup>2</sup>
- | Max. terminal torque: 1,8 Nm
- | IEC 60 947-3
- | TK= star delta
- | SK= reverse switch

### 3 POLE

Part Number		Ie A AC-23 (415/690V)	kW AC-23 (415/690V)	Enclosure Size	IP Rating
Grey Enclosure Black Handle	Grey Enclosure Y-R Handle				
TKM325SKM23XM25P		25*	7.5/11	U2	IP66
	TKM325SKYRM22XM25P	25*	11*	U2	IP66

\* 400/415V ONLY

STOCKED ITEM

NON STOCKED ITEM

# FIRE RATED ALUMINIUM ENCLOSED ISOLATING SWITCHES 16-200A



- | F200 3H (FR) / F300 2H (FR3)
- | IP66 rating in enclosures A2 and A3
- | IP65 rating in enclosures A4 and A5
- | Padlockable
- | Door interlock with defeat mechanism
- | ON-locking facility as option
- | Good corrosion and UV resistance
- | Excellent for hard weather conditions
- | Available up to 200 A

## F200 3H = 200°C FOR 3 HOURS

Part Number		Ie A AC-23 (415/690V)	kW AC-23 (415/690V)	Enclosure Size	IP Rating
Red Enclosure Black Handle	No. Poles				
KEA325FRA2	3	25/25	11/22	A2	IP66
<b>KEA340FRA2</b>	<b>3</b>	<b>40/32</b>	<b>22/30</b>	<b>A2</b>	<b>IP66</b>
<b>KEA380FRA4</b>	<b>3</b>	<b>63/40</b>	<b>30/37</b>	<b>A3</b>	<b>IP66</b>
KEA440FRA2	4	40/32	22/30	A2	IP66
KEA480FRA4	4	63/40	30/37	A3	IP66
KEA640FRA4	6	40/32	22/30	A3	IP66
KEA680FRA4	6	63/40	30/37	A3	IP66

## F300 2H = 300°C FOR 2 HOURS

Part Number		Ie A AC-23 (415/690V)	kW AC-23 (415/690V)	Enclosure Size	IP Rating
Red Enclosure Black Handle	No. Poles				
<b>KEA340FR3A2</b>	<b>3</b>	<b>40/32</b>	<b>22/30</b>	<b>A2</b>	<b>IP66</b>
<b>KEA380FR3A4</b>	<b>3</b>	<b>63/40</b>	<b>30/37</b>	<b>A3</b>	<b>IP66</b>
KEA440FR3A2	4	40/32	22/30	A3	IP66
KEA480FR3A4	4	63/40	30/37	A3	IP66
KEA640FR3A4	6	40/32	22/30	A3	IP66
KEA680FR3A4	6	63/40	30/37	A3	IP66

STOCKED ITEM

NON STOCKED ITEM

# LOAD BREAK SWITCHES

## 16-40A ROTARY SWITCHES LOADSAFE KU and RT SERIES



- | Compact size, DIN-rail or screw mounting
- | 3 pole and 4 pole versions
- | Switch technology by means of silver contacts ensures safe and durable operation
- | Compatible with handles LKX50 and LK10
- | RT version is suitable for door mounting and will be delivered with 42 mm shaft and LKX50 (black) or LKX50YR (yellow/red) handle
- | KU 3 and 4 pole will be delivered with black direct handle
- | Shafts L=100/200/300 AD11 and AD11/VT



KU PANEL MOUNT TYPE



RT DOOR MOUNT TYPE

### SWITCHES: KU AND RT

PART NUMBER	AC-23A 400/415 V (A)	AC-23A 400/415 V (KW)	AC-23A 690 V (A)	AC-23A 690 V (KW)	SWITCH TYPE	NUMBER OF POLES
KU 316	16	7,5	16	11	Load Break Switch	3
KU 325	25	11	25	22	Load Break Switch	3
KU 340	40	22	25	22	Load Break Switch	3
KU 416	16	7,5	16	11	Load Break Switch	4
KU 425	25	11	25	22	Load Break Switch	4
KU 440	40	22	25	22	Load Break Switch	4
RT 316 L42LKX50	16	7,5	16	11	Door mounting LBS	3
RT 325 L42LKX50	25	11	25	22	Door mounting LBS	3
RT 340 L42LKX50	40	22	25	22	Door mounting LBS	3
RT 316 L42LKX50YR	16	7,5	16	11	Door mounting LBS	3
RT 325 L42LKX50YR	25	11	25	22	Door mounting LBS	3
RT 340 L42LKX50YR	40	22	25	22	Door mounting LBS	3



### KU AND RT RELATED ACCESSORIES

PART NUMBER	ACCESSORY	DESCRIPTION	FOR
LKX50	Handle	Black	All configurations
LKX50YR	Handle	Yellow/red	All configurations
L42	Shaft	Length 42 mm, aluminium	RT
L42AD11	Shaft	Length 42 mm, aluminium	KU
LK10	Handle	Black	All configurations
LK10YR	Handle	Yellow/red	All configurations
L200AD11	Shaft	Length 200 mm, aluminium	All configurations
<b>L300AD11</b>	<b>Shaft</b>	<b>Length 300 mm, aluminium</b>	<b>All configurations</b>
L100AD11VT	Shaft	Length 100 mm, steel, slanted	All configurations
L300AD11VT	Shaft	Length 300 mm, steel, slanted	All configurations

STOCKED ITEM

NON STOCKED ITEM

## ROTARY LOAD BREAK SWITCHES

### KU SERIES - COMPACT, 16-125A, RED HANDLE



- | Compact size, DIN-rail mounting
- | 6-pole and 8-pole versions consist of two 3-pole or 4-pole KU-switches connected by a parallel kit
- | Switch technology by means of silver contacts ensures safe and durable operation
- | 4-pole versions with early-make and late-break neutral pole
- | Compatible with handles LK10 and LK11
- | Shafts L=100/200/300 AD11 and AD11/VT

#### 3 POLE

PART NUMBER	IEA AC-23 (415/690V)	KW AC-23 (415/690V)
KU316N		
KU325N		
KU340N	32/32	15/30
KU363N		
KU380N	63/40	30/37

#### 4 POLE

PART NUMBER	IEA AC-23 (415/690V)	KW AC-23 (415/690V)
KU416N		
KU425N	25/25	11/22
<b>KU440N</b>	<b>32/32</b>	<b>15/30</b>
KU463N		
KU480N	63/40	30/37

#### KU N SERIES ACCESSORIES

PART NUMBER	ACCESSORY	DESCRIPTION	FOR
<b>LK10</b>	<b>Handle</b>	<b>Black</b>	<b>3 &amp; 4 pole, lock OFF</b>
<b>LK10YR</b>	<b>Handle</b>	<b>Yellow/red</b>	<b>3 &amp; 4 pole, lock OFF</b>
LK10YRON	Handle	Yellow/red	3 & 4 pole, lock ON
LK11	Handle	Black	3 & 4 pole, lock OFF, with lever
LK11YR	Handle	Yellow/red	3 & 4 pole, lock OFF, with lever
LK11P69K	Handle	Black	3 & 4 pole, lock OFF, with lever
LK11YRIP69K	Handle	Yellow/red	3 & 4 pole, lock OFF, with lever
LK11YRON	Handle	Yellow/red	3 & 4 pole, lock ON, with lever
L200AD11	Shaft	Length 200 mm, Aluminium	With LK10 and LK11 handles
<b>L300AD11</b>	<b>Shaft</b>	<b>Length 300 mm, Aluminium</b>	<b>With LK10 and LK11 handles</b>
L100AD11VT	Shaft	Length 100 mm, steel, slanted	With LK10 and LK11 handles
L300AD11VT	Shaft	Length 300 mm, steel, slanted	With LK10 and LK11 handles
KKU3P	Front plate	Grey plate, black direct handle	3-pole
KKU4P	Front plate	Grey plate, black direct handle	4-pole
KKU3PYR	Front plate	Yellow plate, red direct handle	3-pole
KKU4PYR	Front plate	Yellow plate, red direct handle	4-pole
<b>KU1V</b>	<b>Auxiliary contact</b>	<b>1NO/1NC, fit max. 1</b>	<b>For all configurations 3-8 pole</b>
KU2V	Auxiliary contact	2NO/2NC, fit max. 1	For all configurations 3-8 pole
RV66	Parallel kit	Length 66 mm, center shaft	2 x 3-pole
RV66S	Parallel kit	Length 66 mm, side shaft	2 x 3-pole
RV80	Parallel kit	Length 80 mm, center shaft	2 x 4-pole
RV80S	Parallel kit	3Length 80 mm, side shaft	2 x 4-pole
LK11CO102	Handle	Black	Change-over
LK11CO102YR	Handle	Yellow/red	Change-over
KUVV	Change-over kit	Positions 1, 0, 2, black handle	3 or 4-pole
KUVVYR	Change-over kit	Positions 1, 0, 2, red handle	3 or 4-pole

STOCKED ITEM

NON STOCKED ITEM



## KU SERIES - MODULAR, 100-160A, BLACK HANDLE



- | Modular design DIN-rail mounting 6 pole and 8 pole switches consist of two 3 pole or 4 pole switches and a parallel operation kit
- | Silver contacts increase the degree of safety and overall reliability of switching
- | Compatible with handles LK10, LK11(3 pole and 4 poles) and LK12 (6 and 8 poles and change-over switch)
- | Shafts: L=100/200/300 AD11 and AD11/VT (3 and 4 poles), L=100/200/300 AD12/T (6 and 8 poles and change-over switch)

### 3 POLE

PART NUMBER	IE A AC-23 (415/690V)	KW AC-23 (415/690V)
KU3100	100/63	55/55
KU3125	125/80	55/75
<b>KU3160</b>	<b>160/100</b>	<b>90/90</b>
<b>KU3160CO</b>	<b>160/100</b>	<b>90/90</b>

### 4 POLE

PART NUMBER	IE A AC-23 (415/690V)	KW AC-23 (415/690V)
KU4100	100/63	55/55
KU4125	125/80	55/75
KU4160	160/100	90/90
KU4100CO	100/63	55/55
KU4125CO	125/80	55/75
KU4160CO	160/100	90/90

### 6 POLE

PART NUMBER	IE A AC-23 (415/690V)	KW AC-23 (415/690V)
KU6100	100/63	55/55
KU6125	125/80	55/75
KU6160	160/100	90/90

### KU SERIES ACCESSORIES

PART NUMBER	ACCESSORY	DESCRIPTION	FOR
<b>LK10</b>	Handle	Black	3 & 4 pole
<b>LK10YR</b>	Handle	Yellow/red	3 & 4 pole
LK11	Handle	Black	3 & 4 pole
LK11YR	Handle	Yellow/red	3 & 4 pole
LK11IP69K	Handle	Black	3 & 4 pole
LK11YRIP69K	Handle	Yellow/red	3 & 4 pole
L100AD11VT	Shaft	Length 100 mm, steel, slanted	With LK10 and LK11 handles
L300AD11VT	Shaft	Length 300 mm, steel, slanted	With LK10 and LK11 handles
PK160KU	Parallel Kit	Clip on kit	For 2 x 3 or 4 pole switches
CO160KU	Changeover Kit	CO kit for 3 pole changeover switches	3 Pole switches 100 A to 160 A
<b>1V160KU</b>	Auxiliary contact	1NO/1NC	For all configurations
<b>2V160KU</b>	Auxiliary contact	2NO/2NC	For all configurations
LS160	Cover	Terminal cover for 3 poles	For KU_100 - KU_160. Covers 3 poles
LSN160	Cover	Terminal cover for N-pole	4 & 8 pole and 4 pole change-over
LK12	Handle	Black	6 & 8 pole switches
LK12YR	Handle	Yellow/red	6 & 8 pole switches
LK12CO102	Handle	Black	Changeover switch
LK12CO102YR	Handle	Yellow/red	Changeover switch
L100AD12T	Shaft	Length 100 mm, steel, slanted	With LK12 handle
L300AD12T	Shaft	Length 300 mm, steel, slanted	With LK12 handle

STOCKED ITEM

NON STOCKED ITEM

# VISUAL LOAD BREAK SWITCHES

## KU 200-800A Series - extension handle or direct mount handle types



- | Reliable switch for demanding industrial applications
- | Made of 100% recyclable thermoplastic material
- | The modular structure enables the drive mechanism position to be varied
- | Easy to install auxiliary contacts
- | Available with terminal covers and phase barriers
- | Available with direct handle or handle (LKX 150) and shaft (LVK228, 228mm shaft)
- | Available with yellow/red handle (LKX 150 Y/R) and different length shaft when ordered separately
- | 6 and 8 pole load break and changeover switches available

### Extension Shaft Handle types

#### LOAD BREAK SWITCHES, 3 AND 4 POLE, C/W WITH SHAFT AND HANDLE

PART NUMBER 3 POLE	PART NUMBER 4 POLE	IE (A) AC-23 (415V/690V)	IE (A) AC-23 (1000V)	KW AC-23 (415V/690V)
KU3200WL200AD12T6LKX	KU4200WL200AD12T6LKX	200/200	-	110/160
KU3250WL250AD12T6LKX	KU4250WL200AD12T6LKX	250/250	135	132/250
KU3315LVK228LKX150	KU4315LVK228LKX150	315/315	-	160/315
KU3400LVK228LKX150	KU4400LVK228LKX150	400/400	200	200/355
KU3630LVK228LKX150	KU4630LVK228LKX150	630/630	-	355/630
KU3800LVK228LKX150	KU4800LVK228LKX150	800/800	400	400/800



#### CHANGEOVER LOAD BREAK SWITCHES, 3 AND 4 POLE, C/W WITH SHAFT AND HANDLE

PART NUMBER 3 POLE	PART NUMBER 4 POLE	IE A AC-23 (415V/690V)	IE (A) AC-23 (1000V)	KW AC-23 (415V/690V)
KU3200WCO	KU4200WCO	200/200	-	110/160
KU3250WCO	KU4250WCO	250/250	135	132/250
KU3315CO	KU4315CO	315/315	-	160/315
KU3400CO	KU4400CO	400/400	200	200/355
KU3630CO	KU4630CO	630/630	-	355/630
KU3800CO	KU4800CO	800/800	400	400/800



### Direct Mount Handle types

#### LOAD BREAK SWITCHES, 3 AND 4 POLE, DIRECT MOUNT HANDLE

PART NUMBER 3 POLE	PART NUMBER 4 POLE	IE A AC-23 (415V/690V)	IE (A) AC-23 (1000V)	KW AC-23 (415V/690V)
KU3200WSV	KU4200WSV	200/200	-	110/160
KU3250WSV	KU4250WSV	250/250	135	132/250
KU3315SV	KU4315SV	315/315	-	160/315
KU3400SV	KU4400SV	400/400	200	200/355
KU3630SV	KU4630SV	630/630	-	355/630
KU3800SV	KU4800SV	800/800	400	400/800



#### CHANGEOVER LOAD BREAK SWITCHES, 3 AND 4 POLE, C/W DIRECT MOUNT HANDLE

PART NUMBER 3 POLE	PART NUMBER 4 POLE	IE A AC-23 (415V/690V)	IE (A) AC-23 (1000V)	KW AC-23 (415V/690V)
KU3200WCOSV	KU4200WCOSV	200/200	-	110/160
KU3250WCOSV	KU4250WCOSV	250/250	135	132/250
KU3315COSV	KU4315COSV	315/315	-	160/315
KU3400COSV	KU4400COSV	400/400	200	200/355
KU3630COSV	KU4630COSV	630/630	-	355/630
KU3800COSV	KU4800COSV	800/800	400	400/800



STOCKED ITEM

NON STOCKED ITEM

# KU 200 – 800 SERIES ACCESSORIES

## Load Break and Changeover Switches

### AUXILIARY CONTACTS

- Suits KU load break and changeover switches, 200A – 800A
- Snap action, Spade terminal, (lugs supplied), Side mount. Max. 3 auxiliaries each side of switch
- Rated 16A - 250V (AC12), 4A - 250 VAC (AC13-15, DC12). Early break, late make

PART NUMBER	DESCRIPTION
<b>1V160KU</b>	Side mount auxiliary contact (1NO+1NC), KU200-800
<b>2V160KU</b>	Side mount auxiliary contact (2NO+2NC), KU200-800



### TERMINAL COVERS

- Suits KU load break and changeover switches, 200A – 800A.
- Suits 1 pole only. Order (x 3) or (x 4) as needed for 3 or 4 pole switches.

PART NUMBER	DESCRIPTION
LS250F	Terminal Cover flush, suits 1 pole (Order as needed for 3 or 4 poles), KU200-250
LS400F	Terminal Cover flush, suits 1 pole (Order as needed for 3 or 4 poles), KU315-400
LS800F	Terminal Cover flush, suits 1 pole (Order as needed for 3 or 4 poles), KU630-800



### PHASE BARRIERS

- Suits KU load break and changeover switches, 200A – 800A. Flexible rubber. Qty 1. Order qty required

PART NUMBER	DESCRIPTION
VS250	Phase Barrier (1 piece), KU200-250
VS400	Phase Barrier (1 piece), KU315-630
VS800	Phase Barrier (1 piece), KU630-800



### HANDLE OPERATORS (LOAD BREAK SWITCHES)

- Suits KU load break switches, 200A – 800A, Padlockable OFF, can be field changed for lock ON.
- Door interlock in ON, Door defeat in ON

PART NUMBER	DESCRIPTION
LKX100	Black External Handle (extension shaft operated), KU200-250
LKX100 YR	Yellow/Red External Handle (extension shaft operated), KU200-250
LKX150	Black External Handle (extension shaft operated) KU315-800
LKX150 YR	Yellow/Red External Handle (extension shaft operated) KU315-800



### HANDLE OPERATORS (CHANGEOVER SWITCHES)

- Suits KU Changeover switches, 200A – 800A Padlockable in 0 (OFF), field change for 1-0-2 locking.
- Door interlock in positions 1 or 2

PART NUMBER	DESCRIPTION
LKX100CO102	Black External Handle (extension shaft operated), KU200-250
LKX100CO102YR	Yellow/Red External Handle (extension shaft operated), KU200-250
LKX150CO102	Black External Handle, positions 1-0-2 (extension shaft operated), KU315-800
LKX150CO102YR	Yellow/Red External Handle, positions 1-0-2 (extension shaft operated), KU315-800



### EXTENSION SHAFTS

- Suits KU load break and changeover switches, 200A – 800A

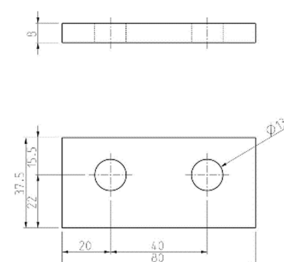
PART NUMBER	DESCRIPTION
L200AD12T6	Steel Shaft, length 200 mm, 6 mm sq, suits LKX100 (KU200-250)
L400AD12T6	Steel Shaft, length 400 mm, 6 mm sq, suits LKX100 (KU200-250)
LVK320	Steel Shaft, length 320 mm, 12.1 mm sq, suits LKX150 (KU315 – 800)
LVK500	Steel Shaft, length 500 mm, 12.1 mm sq, suits LKX150 (KU315 – 800)



### SPREADER BARS

- Suits KU load break and changeover switches, 800A. Quantity 1. Order as required for 3 or 4 poles

PART NUMBER	DESCRIPTION
ALK800C	Spreader Bar, 2 hole, 3 Pole, Qty 1, KU630-800
ALK800	Spreader Bar, 4 hole, 3P or 4P, Qty 1, KU630-800



STOCKED ITEM

NON STOCKED ITEM

# TOGGLE LOAD BREAK SWITCHES

## EVA Series 125-250A

white toggle, terminal covers and phase barriers included



- | Compact size
- | Switch technology by means of silver contacts ensures a long life expectancy and safe use in demanding conditions
- | 125-160A available also with yellow front plate and red toggle (Y/R)
- | 200-250A 3-pole and 4-pole available with terminal covers and phase barriers (LS/VS)
- | Available also with red toggle (R)

### 3 POLE

PART NUMBER	DESCRIPTION	IE A AC-21/22 A/B (415V)	IE A AC-23 (415V)	KW AC-23 (415V)
<b>EVA3160H</b>	<b>Red Toggle</b>	<b>160</b>	<b>160</b>	<b>75</b>
EVA3250H	Red Toggle	250	200	90
<b>EVA3250 2XLS4XVS</b>	<b>White Toggle</b>	<b>250</b>	<b>200</b>	<b>90</b>

### 4 POLE

Part Number	IE A AC-23 (415V)	kW AC-23 (415V)
<b>EVA42502XLS6XVS</b>	<b>200</b>	<b>90</b>

# FUSE SWITCHES

## KVKE Series



- | DIN & BS Fuse versions
- | Four breaking points per phase
- | Connecting silver rivets have a silver alloy 350 um thick, thus ensuring a long life expectancy and safe use in demanding conditions
- | Compact size saves space
- | Modular structure enables position of drive mechanism to be varied
- | Available as 1-,2-,3- and 4-pole (200-630 A also 6-pole)
- | Black or yellow/red handle (add Y/R to description)
- | Auxiliary contacts are easy to install
- | Fuse covers included, terminal covers as accessory
- | 63-160A includes handle LK12 and shaft L=220
- | 200-630 A includes handle LK14 and shaft LVK=228

## KVKE Series 63-160A

LK12 Handle, L=220mm shaft, fuse covers included

### 3 POLE

Part Number	Description	IE A AC-23 (415/690V)	kW AC-23 (415/690V)
KVKE3160L220AD12TLK12SS	160 A, 3P, DIN	125/125	55/110
KVKE3160BSL220AD12TLK12SS	160 A, 3P, BS88	125/125	55/110
KVKE3160NLL220AD12TLK12SS	160 A, 3P + DN, DIN	125/125	55/110
KVKE3160NLBSL220AD12TLK12SS	160 A, 3P + DN, BS88	125/125	55/110

### 4 POLE

Part Number	Description	IE A AC-23 (415/690V)	kW AC-23 (415/690V)
KVKE4160L220AD12TLK12SS	160 A, 4P, DIN	125/125	55/110

## KVKE Series

200-630A, LK14 Handle, LVK=228mm shaft, fuse covers included

### 3 POLE

Part Number	Description	le A AC-23 (415/690V)	kW AC-23 (415/690V)
KVKE3250LVK228LK14SS	250 A, 3P, DIN	250/250	132/250
KVKE3250BSLVK228LK14SS	250 A, 3P, BS88	250/250	132/250
KVKE3250NLLVK228LK14SS	250 A, 3P + DN, DIN	250/250	132/250
KVKE3250NLBSLVK228LK14SS	250 A, 3P + DN, BS88	250/250	132/250
KVKE3400LVK228LK14SS	400 A, 3P, DIN	400/400	200/355
KVKE3400BSLVK228LK14SS	400 A, 3P, BS88	400/400	200/355
KVKE3400NLLVK228LK14SS	400 A, 3P + DN, DIN	400/400	200/355
KVKE3400NLBSLVK228LK14SS	400 A, 3P + DN, BS88	400/400	200/355
KVKE3630LVK228LK14SS	630 A, 3P, DIN	630/500	355/500
KVKE3630BSLVK228LK14SS	630 A, 3P, BS88	630/500	355/500
KVKE3630NLLVK228LK14SS	630 A, 3P + DN, DIN	630/500	355/500
KVKE3630NLBSLVK228LK14SS	630 A, 3P + DN, BS88	630/500	355/500

### 4 POLE

Part Number	Description	le A AC-23 (415/690V)	kW AC-23 (415/690V)
KVKE4250LVK228LK14SS	250 A, 4P, DIN	250/250	132/250
KVKE4250BSLVK228LK14SS	250 A, 4P, BS88	250/250	132/250
KVKE4400LVK228LK14SS	400 A, 4P, DIN	400/400	200/355
KVKE4400BSLVK228LK14SS	400 A, 4P, BS88	400/400	200/355
KVKE4630LVK228LK14SS	630 A, 4P, DIN	630/500	355/500
KVKE4630BSLVK228LK14SS	630 A, 4P, BS88	630/500	355/500

### KVKE Series Accessories

Part Number	Description
LS250	Terminal Covers for KVKE/VKE 200-250A
LS400F	Terminal Covers for KVKE/VKE 400A

STOCKED ITEM

NON STOCKED ITEM



# ACCESSORIES FOR ISOLATING SWITCHES

## HANDLES



LK10 Y/R



LK11



LK12



LK13 Y/R



LK14

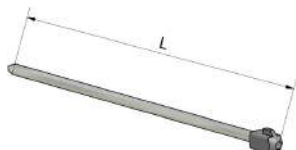
Part Number	Description	
LK10	Black Handle for Isolators	
LK10YR	Yellow-Red Handle for Isolators	
LK11	Black Overlap Handle for Isolators	
LK11YR	Yellow-Red Overlap Handle for Isolators	
LK12	Black Handle for Isolators	For KU 100-160A , VKE 125-160A an VKA 200-250A Switches
LK12YR	Yellow-Red Handle for Isolators	
<b>LK13</b>	<b>Black Overlap Handle for Isolators</b>	<b>For VKE 200-400A Switches</b>
<b>LK13YR</b>	<b>Yellow-Red Overlap Handle for Isolators</b>	
<b>LK14</b>	<b>Black Overlap Handle for Isolators</b>	<b>For VKE 200-630A Switches</b>
<b>LK14YR</b>	<b>Yellow-Red Overlap Handle for Isolators</b>	

## DOOR MOUNTING KITS



Part Number	Description
OKAKULK10	Dr Mnt. Kit, Black for 3P KU c/w LK10 HL
OKAKULK10YR	Dr Mnt. Kit, Y-R for 3P KU c/w LK10 HL
OKAKU4PLK10	Dr Mnt. Kit, Black for 4P KU c/w LK10 HL

## EXTENSION SHAFTS



Part Number	Description
L300AD11	300mm Ext Aluminium Shaft
L300AD11VT	300mm Ext Steel Slanted Shaft
L300AD12T	300mm Ext Steel Shaft
LVK320	320mm Ext Steel Slanted Shaft

## AUXILLIARY CONTACTS



Part Number	Description	
<b>KU1V</b>	<b>Aux. Contact 1NO/1NC for KU LBS</b>	
KU2V	Aux. Contact 2NO/2NC for KU LBS	
<b>1V160KU</b>	<b>Aux. Contact, side mounted</b>	<b>For KU 100-160A LBS</b>
<b>2V160KU</b>	<b>2 x Aux. Contact, side mounted</b>	

STOCKED ITEM

NON STOCKED ITEM

## METRIC CABLE GLANDS (PLASTIC)



### KPK-MVP

- | Material: Polyamide
- | Colour: Grey, RAL 7035
- | IP68



### KVM

- | Material: Polyamide
- | Colour: Grey, RAL 7035

### CABLE GLANDS WITH STRAIN RELIEF

Part Number	Description	Cable Ø mm	Thread mm	Width mm
KPKM12P	Cable Gland,Poly,Gry,IP68,M12	3...6	8	15
KPKM16P	Cable Gland,Poly,Gry,IP68,M16	5...10	8	20
KPKM20P	Cable Gland,Poly,Gry,IP68,M20	8...13	8	24
KPKM25P	Cable Gland,Poly,Gry,IP68,M25	11...17	8	29
KPKM32P	Cable Gland,Poly,Gry,IP68,M32	15...21	10	36
KPKM40P	Cable Gland,Poly,Gry,IP68,M40	19...28	10	46
KPKM50P	Cable Gland,Poly,Gry,IP68,M50	27...35	12	55
KPKM63P	Cable Gland,Poly,Gry,IP68,M63	32...42	12	68

### PLASTIC LOCKNUTS

Part Number	Description	Width mm	Height mm
KVMM12P	Cable Gland Locknut,Poly,Grey,M12	17	5
KVMM16P	Cable Gland Locknut,Poly,Grey,M16	22	5
KVMM20P	Cable Gland Locknut,Poly,Grey,M20	27	6
KVMM25P	Cable Gland Locknut,Poly,Grey,M25	32	6
KVMM32P	Cable Gland Locknut,Poly,Grey,M32	41	7
KVMM40P	Cable Gland Locknut,Poly,Grey,M40	50	7
KVMM50P	Cable Gland Locknut,Poly,Grey,M50	60	8
KVMM63P	Cable Gland Locknut,Poly,Grey,M63	75	8

### METRIC CABLE GLANDS (METAL)



### KPK-TVP

- | Material: Nickel Coated Brass
- | IP68



### KVM-T

- | Material: Nickel Coated Brass

### CABLE GLANDS WITH STRAIN RELIEF

Part Number	Description	Cable Ø mm	Thread mm	Width mm
KPKM16M	Cable Gland,NP Brass,IP68,M16	5...9	5	17
KPKM20M	Cable Gland,NP Brass,IP68,M20	9...13	6	22
KPKM25M	Cable Gland,NPBrass,IP68,M25	11...16	7	27
KPKM32M	Cable Gland,NPBrass,IP68,M32	14...21	8	34
KPKM40M	Cable Gland,NPBrass,IP68,M40	19...27	8	43
KPKM50M	Cable Gland,NPBrass,IP68,M50	24...35	9	55
KPKM63M	Cable Gland,NPBrass,IP68,M63	32...42	10	65

### METAL LOCKNUTS

Part Number	Description	Width mm	Height mm
KVMM16M	Cable Gland Locknut,NP Brass,M16	19	2.8
KVMM20M	Cable Gland Locknut,NP Brass,M20	24	3
KVMM25M	Cable Gland Locknut,NP Brass,M25	30	3.5
KVMM32M	Cable Gland Locknut,NP Brass,M32	36	4
KVMM40M	Cable Gland Locknut,NP Brass,M40	46	5
KVMM50M	Cable Gland Locknut,NP Brass,M50	60	5
KVMM63M	Cable Gland Locknut,NP Brass,M63	70	6

## METRIC CABLE GLANDS (STAINLESS STEEL)



### KPK-HVP

- | Material: Acid proof steel according to AISI 316
- | IP68
- | Hexagon locknuts included

### CABLE GLANDS WITH STRAIN RELIEF

Part Number	Description	Cable Ø mm	Thread mm	Width mm
KPKM20MA	Cable Gland c/w Locknut,SS316,M20	8...15	6	24
KPKM25MA	Cable Gland c/w Locknut,SS316,M25	13...20	7.5	32
KPKM32MA	Cable Gland c/w Locknut,SS316,M32	18...25.5	8	38

STOCKED ITEM

NON STOCKED ITEM

## PART NUMBER CONVERSION - OLD TO NEW

Old Part Number	New Part Number	Product Group	Page Number
KEM310U	KEM310M2	6M01	4
KEM316U	KEM316M2	6M01	4
KEM325U	KEM325M2	6M01	4
KEM340U	KEM340M2	6M01	4
KEM363U	KEM363M3	6M01	4
KEM380U	KEM380M3	6M01	4
KEM3125U	KEM3125M4	6M01	4
KEM3160	KEM3160MF11	6M01	4
KEM3200	KEM3200MF03	6M01	4
KEM3250	KEM3250MF03	6M01	4
KEM3400	KEM3400MF03	6M01	4
KEM3630	KEM3630MF04	6M01	4
KEM316UY/R	KEM316YRM2	6M01	4
KEM325UY/R	KEM325YRM2	6M01	4
KEM340UY/R	KEM340YRM2	6M01	4
KEM363UY/R	KEM363YRM3	6M01	4
KEM380UY/R	KEM380YRM3	6M01	4
KEM3125UY/R	KEM3125YRM4	6M01	4
KEM3160Y/R	KEM3160YRMF11	6M01	4
KEM3200Y/R	KEM3200YRMF03	6M01	4
KEM3250Y/R	KEM3250YRMF03	6M01	4
KEM3400Y/R	KEM3400YRMF03	6M01	4
KEM3630Y/R	KEM3630YRMF04	6M01	4
KEM425U	KEM425M2	6M01	4
KEM440U	KEM440M2	6M01	4
KEM463U	KEM463M3	6M01	4
KEM480U	KEM480M3	6M01	4
KEM4125U	KEM4125M4	6M01	4
KEM4160	KEM4160MF11	6M01	4
KEM4200	KEM4200MF03	6M01	4
KEM4250	KEM4250MF03	6M01	4
KEM4400	KEM4400MF03	6M01	4
KEM4630	KEM4630MF04	6M01	4
KEM425UY/R	KEM425YRM2	6M01	4
KEM440UY/R	KEM440YRM2	6M01	4
KEM463UY/R	KEM463YRM3	6M01	4
KEM480UY/R	KEM480YRM3	6M01	4
KEM4125UY/R	KEM4125YRM4	6M01	4
KEM4160Y/R	KEM4160YRMF11	6M01	4
KEM4200Y/R	KEM4200YRMF03	6M01	4
KEM4250Y/R	KEM4250YRMF03	6M01	4
KEM4400Y/R	KEM4400YRMF03	6M01	4
KEM4630Y/R	KEM4630YRMF04	6M01	4
KEM625U	KEM625M3	6M01	4
KEM640U	KEM640M3	6M01	4
KEM663U	KEM663M3	6M01	4
KEM680U	KEM680M3	6M01	4
KEM6125	KEM6125MF11	6M01	4
KEM6160	KEM6160MF11	6M01	4
KEM625UY/R	KEM625YRM3	6M01	4
KEM640UY/R	KEM640YRM3	6M01	4
KEM663UY/R		6M01	4
KEM680UY/R	KEM680YRM3	6M01	4
KEM6125Y/R	KEM6125YRMF11	6M01	4
KEM6160Y/R	KEM6160YRMF11	6M01	4
KEM825U	KEM825M3	6M01	4
KEM825UY/R	KEM825YRM3	6M01	4
KEA316U	KEA316A2	6M01	5
KEA316U/A3		6M01	5
KEA325U	KEA325A2	6M01	5
KEA325U/A3		6M01	5
KEA340U	KEA340A2	6M01	5
KEA340U/A3		6M01	5
KEA363U	KEA363A4	6M01	5
KEA380U	KEA380A4	6M01	5
KEA3125U	KEA3125A4	6M01	5
KEA3160U	KEA3160A4	6M01	5
KEA3200	KEA3200A6	6M01	5

## PART NUMBER CONVERSION - OLD TO NEW CONTINUED

Old Part Number	New Part Number	Product Group	Page Number
KEA3250	KEA3250A6	6M01	5
KEA316UY/R	KEA316YRA2	6M01	5
KEA325UY/R	KEA325YRA2	6M01	5
KEA340UY/R	KEA340YRA2	6M01	5
KEA340UY/RA3	Discontinued	N/A	5
KEA363UY/R	KEA363YRA4	6M01	5
KEA380UY/R	KEA380YRA4	6M01	5
KEA3125UY/R	KEA3125YRA4	6M01	5
KEA3160UY/R	KEA3160YRA4	6M01	5
KEA3200Y/R	KEA3200YRA6	6M01	5
KEA3250Y/R	KEA3250YRA6	6M01	5
KEA440U	KEA440A2	6M01	5
KEA463U	KEA463A4	6M01	5
KEA480U	KEA480A4	6M01	5
KEA4125U	KEA4125A4	6M01	5
KEA4160U	KEA4160A4	6M01	5
KEA4200C	KEA4200CA5	6M01	5
KEA4250C	KEA4250CA5	6M01	5
KEA440UY/R	KEA440YRA2	6M01	5
KEA463UY/R	KEA463YRA4	6M01	5
KEA480UY/R	KEA480YRA4	6M01	5
KEA4125UY/R	KEA4125YRA4	6M01	5
KEA4160UY/R	KEA4160YRA4	6M01	5
KEA4200CY/R	KEA4200CYRA5	6M01	5
KEA4250CY/R	KEA4250CYRA5	6M01	5
KEA640U	KEA640A4	6M01	5
KEA663U	KEA663A4	6M01	5
KEA680U	KEA680A4	6M01	5
KEA6125	KEA6125A5	6M01	5
KEA6160	KEA6160A5	6M01	5
KEA616UY/R	KEA616YRA4	6M01	5
KEA640UY/R	KEA640YRA4	6M01	5
KEA663UY/R	KEA663YRA4	6M01	5
KEA680UY/R	KEA680YRA4	6M01	5
KEA6125Y/R	KEA6125A5	6M01	5
KEA6160Y/R	KEA6160YRA5	6M01	5
KER316Y/R	KER316YRRA2	6M01	6
KER325Y/R	KER325YRRA2	6M01	6
KER340Y/R	KER340YRRA2	6M01	6
KER363Y/R	KER363YRRA4	6M01	6
KER380Y/R	KER380YRRA4	6M01	6
KER3125Y/R	KER3125YRRA4	6M01	6
KER3160Y/R	KER3160YRRA5	6M01	6
KER3200Y/R	KER3200YRR6	6M01	6
KER3250Y/R	KER3250YRR6	6M01	6
KER3400Y/R	KER3400YRR6	6M01	6
KER416Y/R	KER416YRRA2	6M01	6
KER425Y/R	KER425YRRA2	6M01	6
KER440Y/R	KER440YRRA2	6M01	6
KER463Y/R	KER463YRRA4	6M01	6
KER480Y/R	KER480YRRA4	6M01	6
KER4125Y/R	KER4125YRRA4	6M01	6
KER4160Y/R	KER4160YRRA5	6M01	6
KER4200Y/R	KER4200YRR6	6M01	6
KER4250Y/R	KER4250YRR6	6M01	6
KER4630Y/R	KER4630YRR7	6M01	6
KER316R	KER316RA2R	6M01	6
KER325R	KER325RA2R	6M01	6
KER340R	KER340RA2R	6M01	6
KER363R	KER363RA4R	6M01	6
KER380R	KER380RA4R	6M01	6
KER3125R	KER3125RA5R	6M01	6
KER3160R	KER3160RA5R	6M01	6
KER3200CR	Discontinued	N/A	6
KER316RS	KER316RA2RS	6M01	6
KER325RS	KER325RA2RS	6M01	6
KER340RS	KER340RA2RS	6M01	6
KER363RS	KER363RA4RS	6M01	6

# PART NUMBER CONVERSION - OLD TO NEW

Old Part Number	New Part Number	Product Group	Page Number
KER380RS	KER380RA4RS	6M01	6
KER3125RS	KER3125RA5RS	6M01	6
KER3160RS	KER3160RA5RS	6M01	6
KER3200CRS	KER3200CRA5RS	6M01	6
KER416R	KER416RA2R	6M01	6
KER425R	KER425RA2R	6M01	6
KER440R	KER440RA2R	6M01	6
KER463R	KER463RA4R	6M01	6
KER480R	KER480RA4R	6M01	6
KER4125R	KER4125RA5R	6M01	6
KER4160R	KER4160RA5R	6M01	6
KER416RS	KER416RA2RS	6M01	6
KER425RS	KER425RA2RS	6M01	6
KER440RS	KER440RA2RS	6M01	6
KER463RS	KER463RA4RS	6M01	6
KER480RS	KER480RA4RS	6M01	6
KER4125RS	KER4125RA5RS	6M01	6
KER4160RS	KER4160RA5RS	6M01	6
KET340	KET340T3	6M01	7
KET380	KET380T3	6M01	7
KET440	KET440T3	6M01	7
KET480	KET480T3	6M01	7
KET640	KET640T3	6M01	7
KET680	KET680T3	6M01	7
KSM225U	KSM225M1	6M01	7
KSM325U	KSM325M12XM20P	6M01	7
KSM425U	KSM425M12XM20P	6M01	7
KEM316U/EMC	KEM316M2EMC2XM25MEMC	6M01	8
KEM340U/EMC	KEM340M2EMC2XM25MEMC	6M01	8
KEM363U/EMC	KEM363M3EMC2XM32MEMC	6M01	8
KEM380U/EMC	KEM380M3EMC2XM32MEMC	6M01	8
KEM325U/EMCY/R	KEM325YRM2EMC2XM25MEMC	6M01	8
KEM380U/EMCY/R	KEM380YRM3EMC2XM32MEMC	6M01	8
KEM425U/EMC		6M01	8
TKM340UVV	TKM340VVM23XM32P	6M02	8
KEM380VV	KEM380VVM3	6M01	8
TKM325USK	TKM325SKM23XM25P	6M02	8
TKM325USKY/R	TKM325SKYRM22XM25P	6M02	8
KEA325UFR	KEA325FRA2	6M01	9
KEA340UFR	KEA340FRA2	6M01	9
KEA380UFR	KEA380FRA4	6M01	9
KEA440UFR	KEA440FRA2	6M01	9
KEA480UFR	KEA480FRA4	6M01	9
KEA640UFR	KEA640FRA4	6M01	9
KEA680UFR	KEA680FRA4	6M01	9
KEA340UFR3	KEA340FR3A2	6M01	9
KEA380UFR3	KEA380FR3A4	6M01	9
KEA440UFR3	KEA440FR3A2	6M01	9
KEA480UFR3	KEA480FR3A4	6M01	9
KEA640UFR3	KEA640FR3A4	6M01	9
KEA680UFR3	KEA680FR3A4	6M01	9
KU340N	KU340N	6M02	10
KU380N	KU380N	6M02	10
KU425N	KU425N	6M02	10
KU440N	KU440N	6M02	10
KU480N	KU480N	6M02	10
KU3100	KU3100	6M02	10
KU3125	KU3125	6M02	10
KU3160	KU3160	6M02	10
KU3160CO	KU3160CO	6M02	10
KU4100	KU4100	6M02	10
KU4125	KU4125	6M02	10
KU4160	KU4160	6M02	10
KU4160CO	KU4160CO	6M02	10
KU6100	KU6100	6M02	10
KU6125	KU6125	6M02	10
KU6160	KU6160	6M02	10
CO160KU	CO160KU	6M05	10



# PART NUMBER CONVERSION - OLD TO NEW CONTINUED

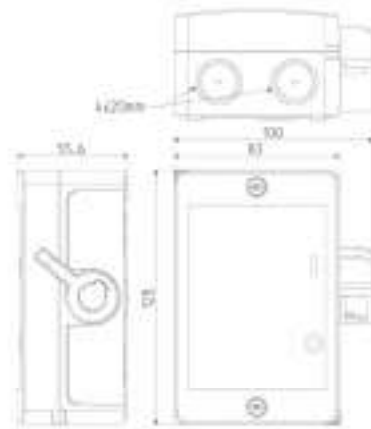
Old Part Number	New Part Number	Product Group	Page Number
PK160U	Discontinued	N/A	10
N160KU	N160KU	6M05	10
LS/VS1603P	LS160	6M05	10
LS/VSN160	LSN160	6M05	10
VKA3160N	VKA4125N	6M02	11
VKA3250LS/VS	VKA3250L228AD12T6LK122XLS4XVS	6M02	11
VKE3160	Discontinued	N/A	11
VKE3250	Discontinued	N/A	11
VKE3400	Discontinued	N/A	11
VKE3630	Discontinued	N/A	11
VKE4630	Discontinued	N/A	11
EVA3250LS/VS	EVA32502XLS4XVS	6M02	12
EVA4250LS/VS	EVA42502XLS6XVS	6M02	12
KVKE3160	KVKE3160L220AD12TLK12SS	6M03	12
KVKE3160BS	KVKE3160BSL220AD12TLK12SS	6M03	12
KVKE3160NL	KVKE3160NLL220AD12TLK12SS	6M03	12
KVKE3160NLBS	KVKE3160NLBSL220AD12TLK12SS	6M03	12
KVKE4160	KVKE4160L220AD12TLK12SS	6M03	12
KVKE4160BS	KVKE4160BSL220AD12TLK12SS	6M03	12
KVKE3250	KVKE3250LVK228LK14SS	6M03	13
KVKE3250BS	KVKE3250BSLVK228LK14SS	6M03	13
KVKE3250NL	KVKE3250NLLVK228LK14SS	6M03	13
KVKE3250NLBS	KVKE3250NLBSLVK228LK14SS	6M03	13
KVKE3400	KVKE3400LVK228LK14SS	6M03	13
KVKE3400BS	KVKE3400BSLVK228LK14SS	6M03	13
KVKE3400NL	KVKE3400NLLVK228LK14SS	6M03	13
KVKE3400NLBS	KVKE3400NLBSLVK228LK14SS	6M03	13
KVKE3630	KVKE3630LVK228LK14SS	6M03	13
KVKE3630BS	KVKE3630BSLVK228LK14SS	6M03	13
KVKE3630NL	KVKE3630NLLVK228LK14SS	6M03	13
KVKE3630NLBS	KVKE3630NLBSLVK228LK14SS	6M03	13
KVKE4250	KVKE4250LVK228LK14SS	6M03	13
KVKE4250BS	KVKE4250BSLVK228LK14SS	6M03	13
KVKE4400	KVKE4400LVK228LK14SS	6M03	13
KVKE4400BS	KVKE4400BSLVK228LK14SS	6M03	13
KVKE4630	KVKE4630LVK228LK14SS	6M03	13
KVKE4630BS	KVKE4630BSLVK228LK14SS	6M03	13
LS250	LS250	6M05	13
LS400	LS400F	6M05	13
LS630		6M05	13
LK10	LK10	6M05	14
LK10Y/R	LK10YR	6M05	14
LK11	LK11	6M05	14
LK11Y/R	LK11YR	6M05	14
LK12	LK12	6M05	14
LK12Y/R	LK12YR	6M05	14
LK13	LK13	6M05	14
LK13Y/R	LK13YR	6M05	14
LK14	LK14	6M05	14
LK14Y/R	LK14YR	6M05	14
OKA/KU/LK10	OKAKULK10	6M05	14
OKA/KU/LK10Y/R	OKAKULK10YR	6M05	14
OKA/KU4P/LK10	OKAKU4PLK10	6M05	14
L=300AD11	L300AD11	6M05	14
L=300AD11/VT	L300AD11VT	6M05	14
L=300AD12/T	L300AD12T	6M05	14
LVK=320	LVK320	6M05	14
KU1.V	KU1V	6M05	14
KU2.V	KU2V	6M05	14
1.V160KU	1V160KU	6M05	14
2.V160KU	2V160KU	6M05	14
VKAC 1.V	Discontinued	N/A	14
VKAC 2.V	Discontinued	N/A	14
KVKE 1.V	Discontinued	N/A	14
KVKE 2.V	Discontinued	N/A	14
LK10Y	Discontinued	N/A	15
K/PV2P	Discontinued	N/A	15
K/PV4P	Discontinued	N/A	15

## PART NUMBER CONVERSION - OLD TO NEW

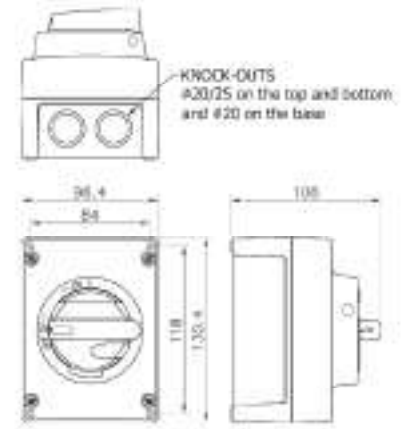
Old Part Number	New Part Number	Product Group	Page Number
KPKM12MVP	KPKM12P	6M05	16
KPKM16MVP	KPKM16P	6M05	16
KPKM20MVP	KPKM20P	6M05	16
KPKM25MVP	KPKM25P	6M05	16
KPKM32MVP	KPKM32P	6M05	16
KPKM40MVP	KPKM40P	6M05	16
KPKM50MVP	KPKM50P	6M05	16
KPKM63MVP	KPKM63P	6M05	16
KVMM12	KVMM12P	6M05	16
KVMM16	KVMM16P	6M05	16
KVMM20	KVMM20P	6M05	16
KVMM25	KVMM25P	6M05	16
KVMM32	KVMM32P	6M05	16
KVMM40	KVMM40P	6M05	16
KVMM50	KVMM50P	6M05	16
KVMM63	KVMM63P	6M05	16
KPKM16TVP	KPKM16M	6M05	16
KPKM20TVP	KPKM20M	6M05	16
KPKM25TVP	KPKM25M	6M05	16
KPKM32TVP	KPKM32M	6M05	16
KPKM40TVP	KPKM40M	6M05	16
KPKM50TVP	KPKM50M	6M05	16
KPKM63TVP	KPKM63M	6M05	16
KVMM16T	KVMM16M	6M05	16
KVMM20T	KVMM20M	6M05	16
KVMM25T	KVMM25M	6M05	16
KVMM32T	KVMM32M	6M05	16
KVMM40T	KVMM40M	6M05	16
KVMM50T	KVMM50M	6M05	16
KVMM63T	KVMM63M	6M05	16
KPKM20HVP	KPKM20MA	6M05	16
KPKM25HVP	KPKM25MA	6M05	16
KPKM32HVP	KPKM32MA	6M05	16
PV232	Discontinued	N/A	15
PV432	Discontinued	N/A	15
PVA232	Discontinued	N/A	15
PVA432	Discontinued	N/A	15
PVM432	Discontinued	N/A	15

## DIMENSIONAL DRAWINGS OF ENCLOSURES

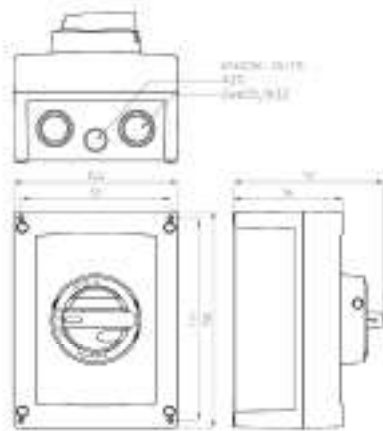
### POLYCARBONATE ENCLOSURES



**U1**



**U2**



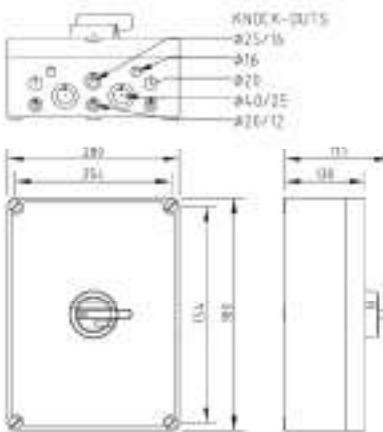
**U3**



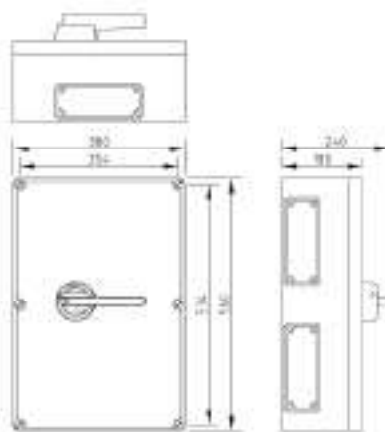
**U4**



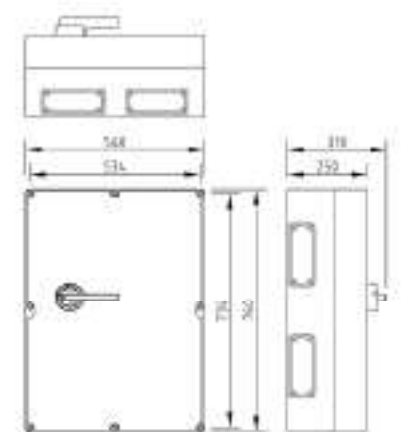
**MF10**



**MF11UL**

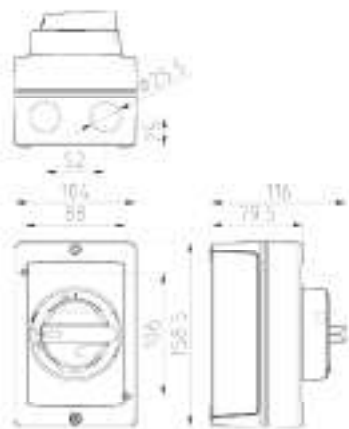


**MF03**

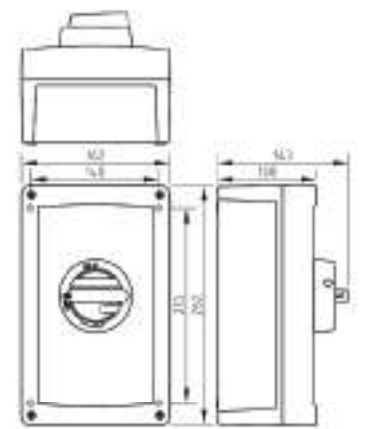


**MF04**

### ALUMINIUM ENCLOSURES



**A2**



**A3**

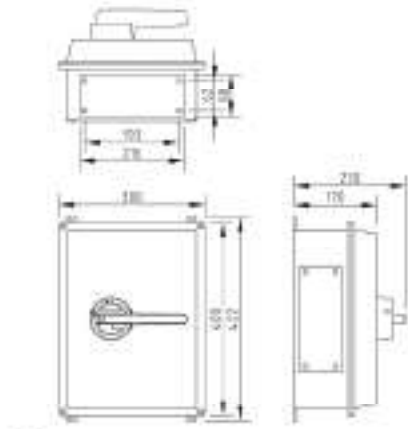
Data subject to change without notice



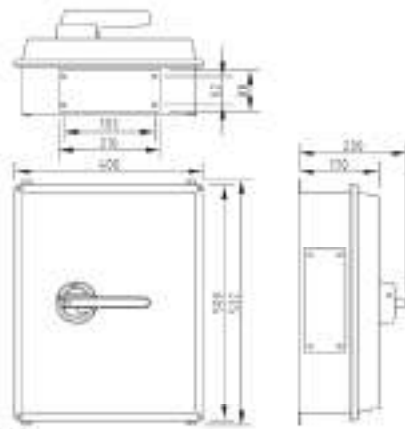
CUTHBERT STEWART LTD

## DIMENSIONAL DRAWINGS OF ENCLOSURES

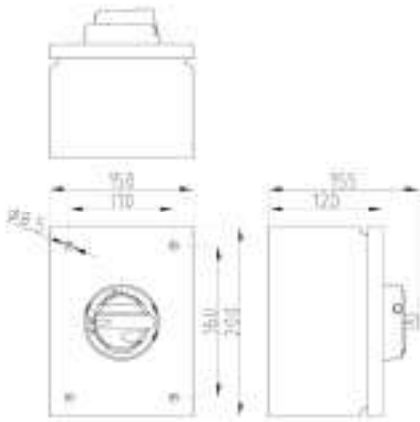
### SHEET STEEL ENCLOSURES



**A4**



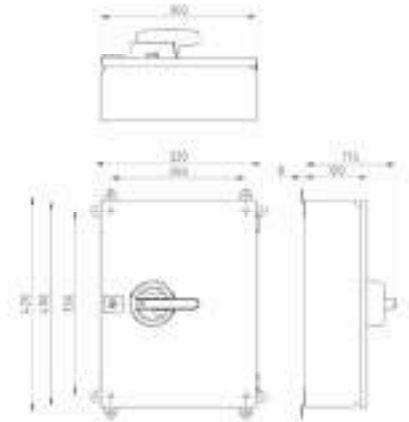
**A5**



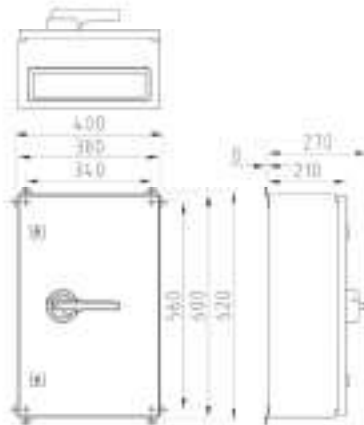
**TR07**



**TR01**



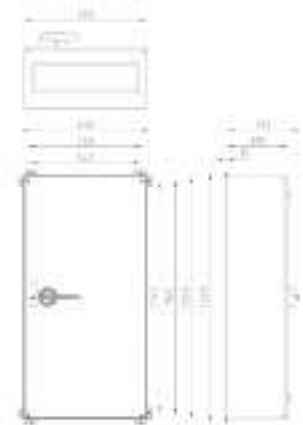
**TR02**



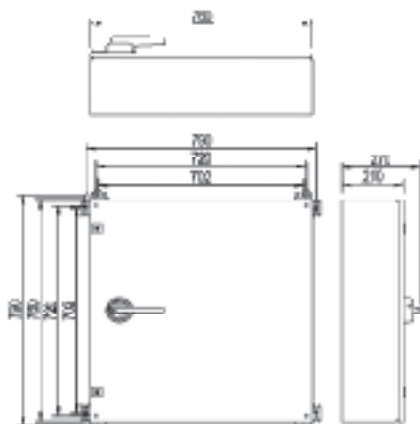
**TR03**



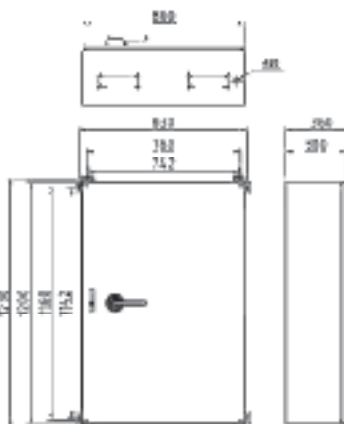
**TR04**



**TR05**



**TR06**



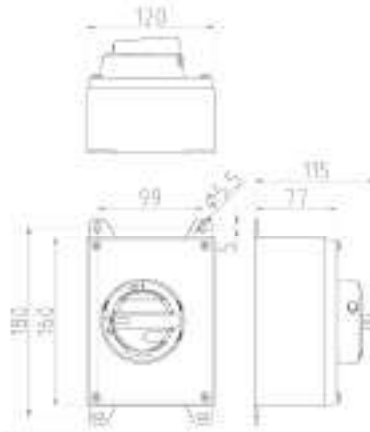
**TR07**

Data subject to change without notice

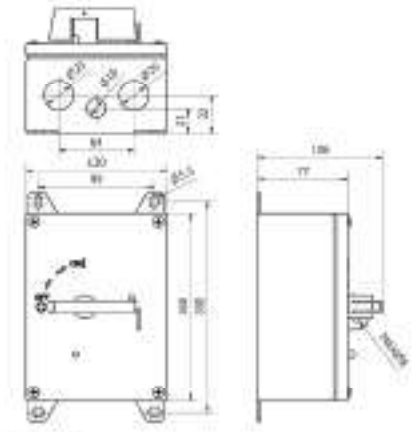


## DIMENSIONAL DRAWINGS OF ENCLOSURES

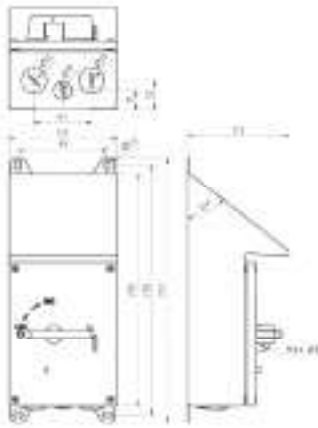
**STAINLESS STEEL ENCLOSURES**



**H23**



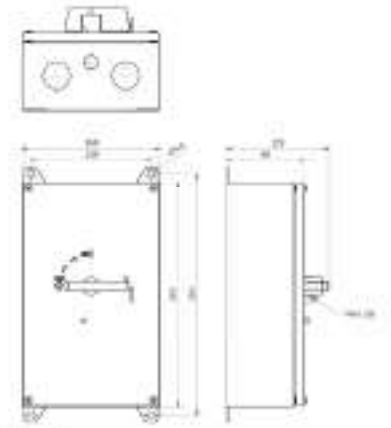
**H23T**



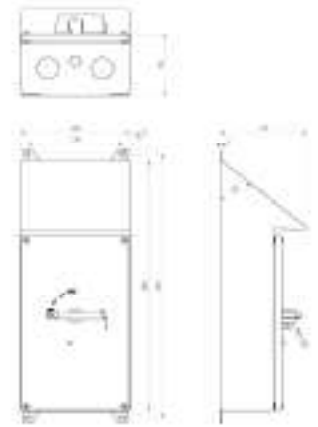
**H24T**



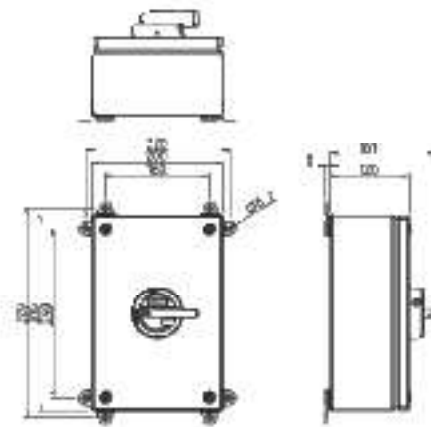
**H32**



**H32T**



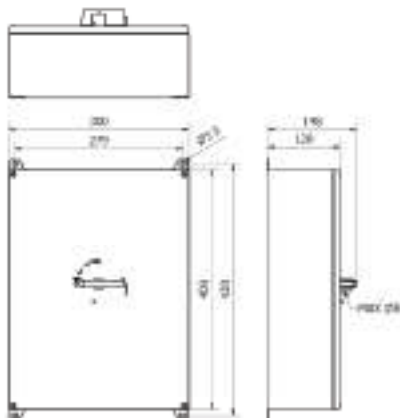
**H34T**



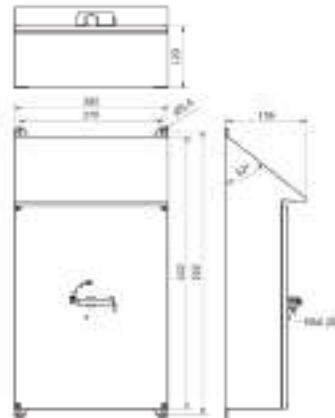
**H01**



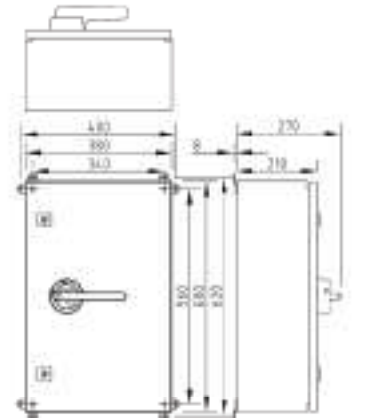
**H02**



**H02T**



**H02TR**

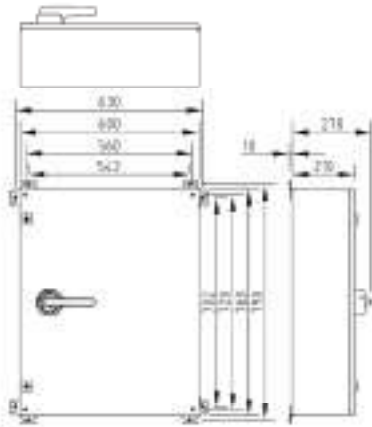


**H03**

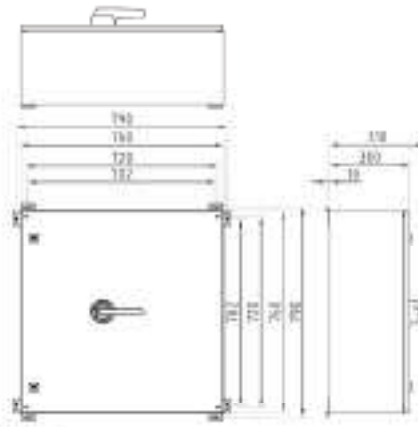
*Data subject to change without notice*



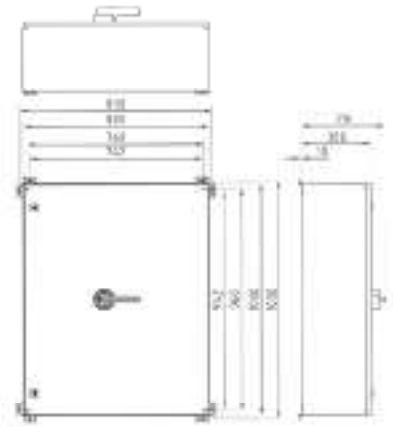
## DIMENSIONAL DRAWINGS OF ENCLOSURES



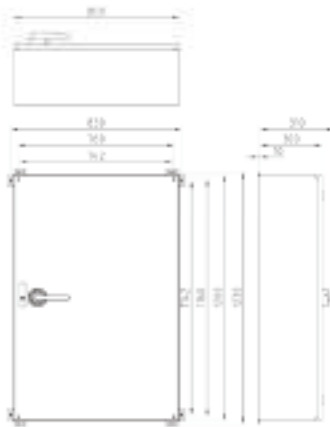
**H04**



**H06**



**H08**



**H07**

Data subject to change without notice







**AUCKLAND HEAD OFFICE**

22 Fisher Crescent,  
Mt Wellington, Auckland.  
PO Box 62293, Sylvia Park 1644,  
Auckland, New Zealand.

**CONTACT US**

Ph: 09 928 1000  
Email: [support@csl-online.nz](mailto:support@csl-online.nz)

**CUSTOMER SERVICES**

FREEPHONE 0800 288 423  
[support@csl-online.nz](mailto:support@csl-online.nz)

